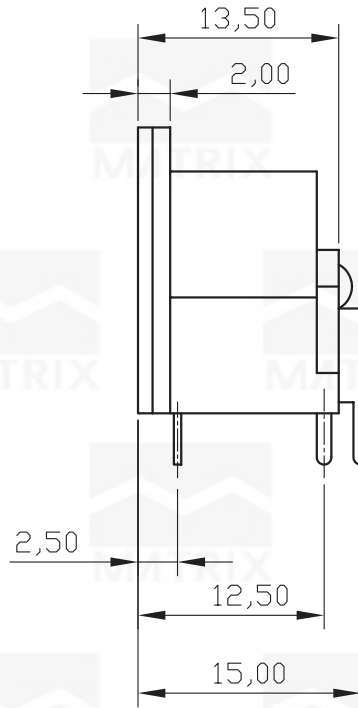
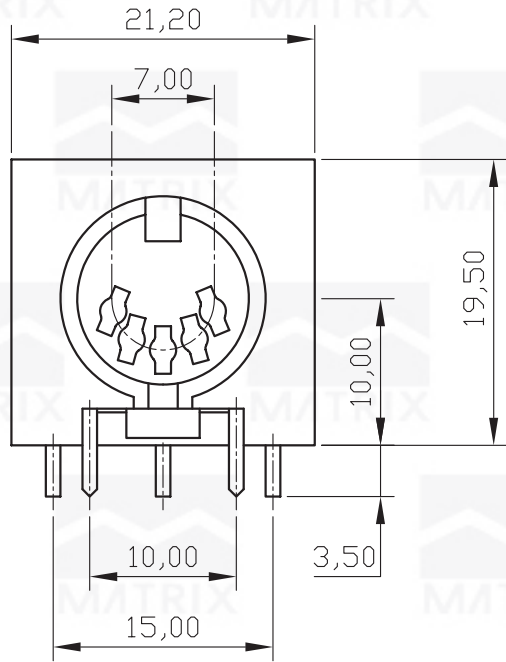


REV	ECN. NO.	APP	DATE
A	EDIÇÃO INICIAL		

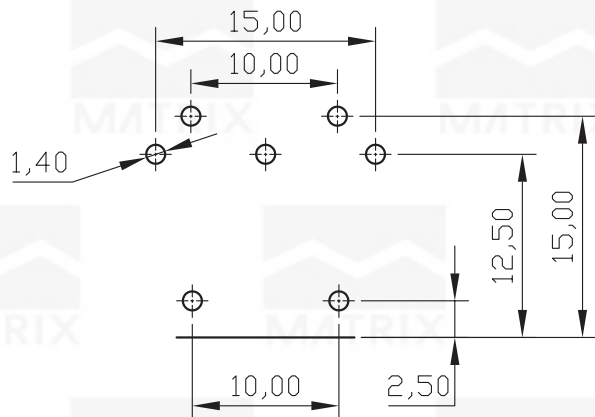



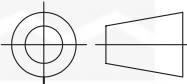
SPECIFICATIONS

1. Contact Resistance: 20mΩ Max.
2. Insulation Resistance: 100MΩ at 500V D.C
3. Voltage Withstanding: AC 500V 1 Minute
4. Insertion Force: 4.0Kg Max.
5. Withdraw all Force: 1-3.5Kg
6. Life Test: 5000 Cycles Min. after Test, Contact Resistance Shall not Exceed 50mΩ
7. Current Rating: AC: 100V 1A
DC: 24V 1A

HOW TO ORDER:
MX-MD-[]-[]-[10,0]-[]
1 2 3 4

- | | |
|--|------------------------------------|
| 1- Nr. of Contacts
03 to 08 | 3- Mount Hole
5,00mm
10,00mm |
| 2- Body Options
(P)- All Plastic
(F)- With Shield and
With Grounding Strip
(S)- With Shield and
Without Grounding Strip | 4- (R) RoHS Compliant |



 MATRIX Tecnologia Ind. e Com. Ltda.			
UNIT mm	SCALE 2:1	TITLE 10,0mm DIN JACK	DATE JULY 2007
TOLERANCE: ±0.25			APP. BY
		MATL	CHK. BY
		DWG. NO.	DR. BY DIEGO