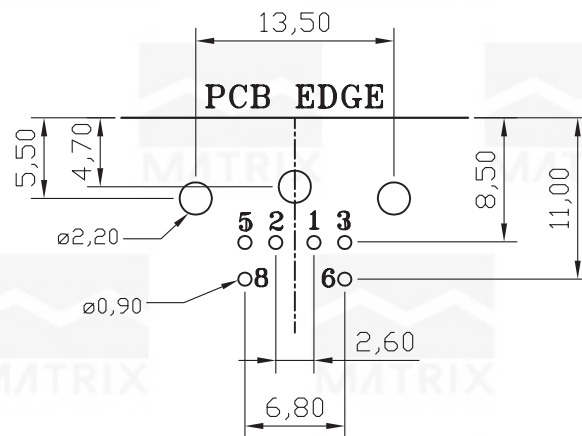
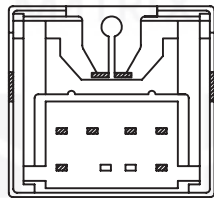
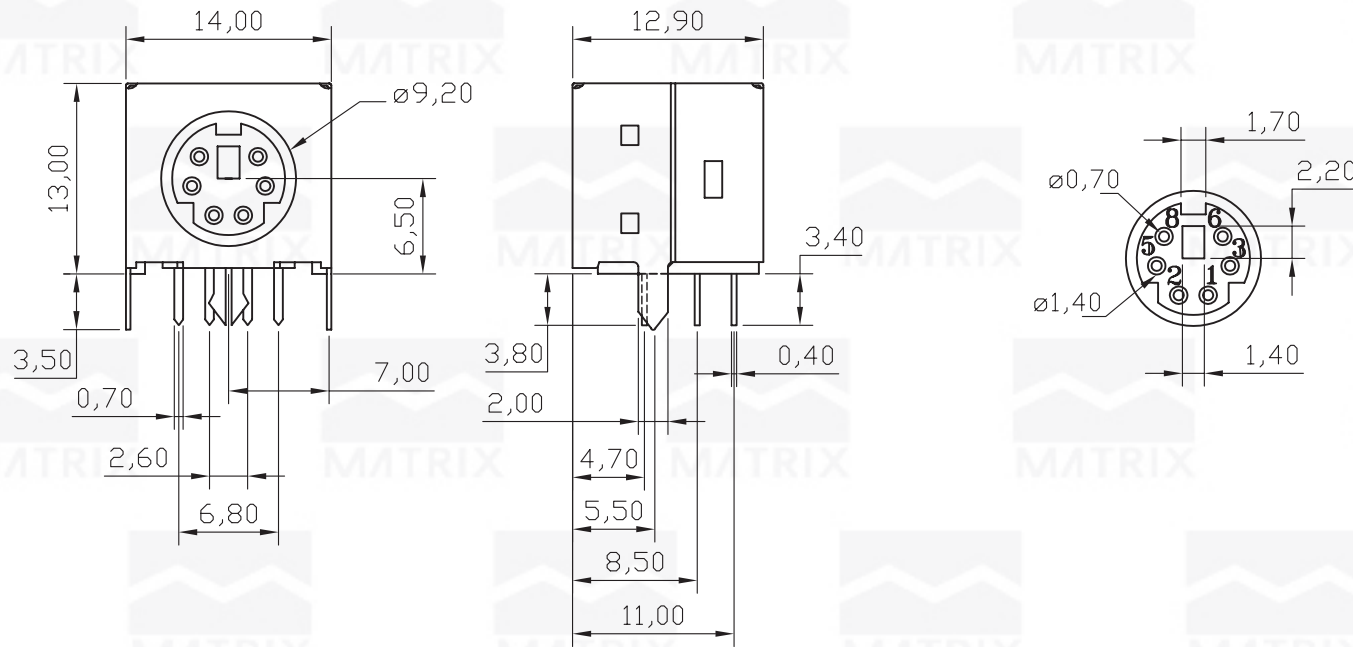


REV	ECN. NO.	APP	DATE
A	EDIÇÃO INICIAL		



PCB LAYOUT
(BOTTOM VIEW)

HOW TO ORDER: MX-MD-90-[]-[S]-[H]-[]

1 2 3 4

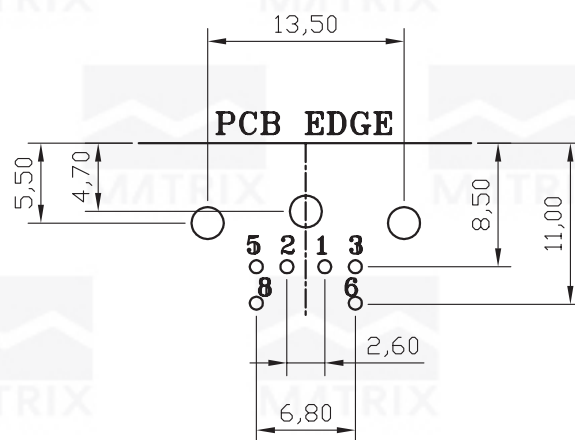
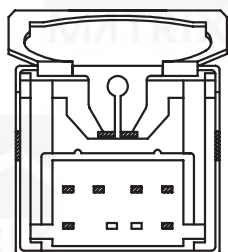
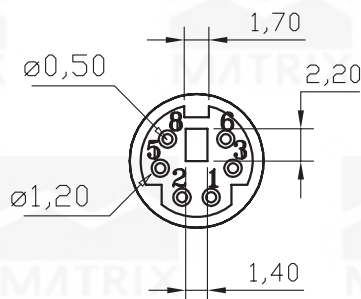
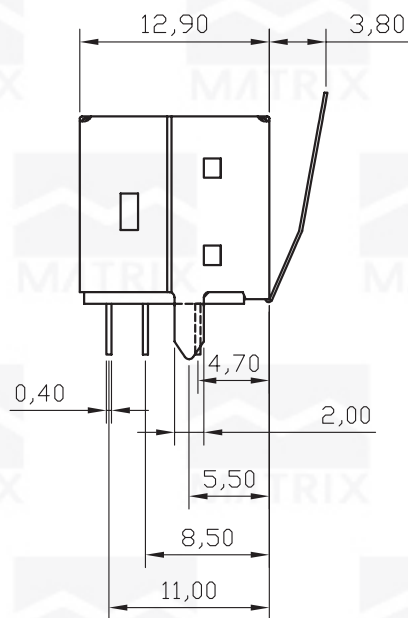
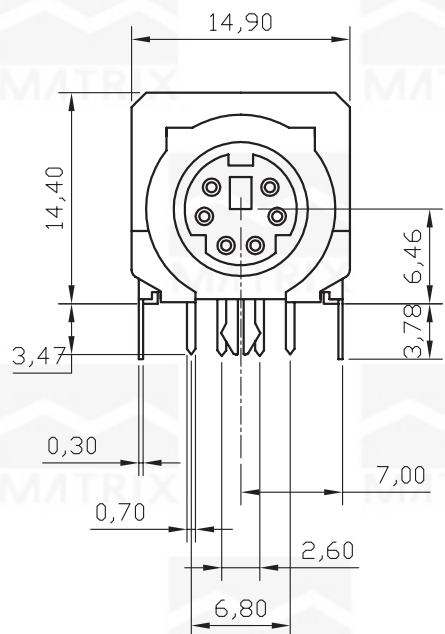
- 1- Nr. of Contacts
03 to 10
- 2- Body Options
(P)- All Plastic
(G)- With Shield and
With Grounding Strip
(S)- With Shield and
Without Grounding Strip
- 3- Pin Option
(K)- Kink Pin
(H)- Hook Pin
- 4- (R) RoHS Compliant



MATRIX TECNOLOGIA IND. E COM. LTDA.

UNIT	SCALE	TITLE	DATE
mm	2:1	MINI DIN JACK HOOK PIN	OCTOBER 2007
TOLERANCE: ±0.25			APP. BY
		MATL	CHK. BY
		DWG. NO.	DR. BY DIEGO

REV	ECN. NO.	APP	DATE
A	EDIÇÃO INICIAL		



**PCB LAYOUT
(BOTTOM VIEW)**

**HOW TO ORDER:
MX-MD-90-[]-[G]-[H]-[]**
1 2 3 4

- 1- Nr. of Contacts
03 to 10
- 2- Body Options
(P)- All Plastic
(G)- With Shield and
With Grounding Strip
(S)- With Shield and
Without Grounding Strip
- 3- Pin Option
(K)- Kink Pin
(H)- Hook Pin
- 4- (R) RoHS Compliant



MATRIX TECNOLOGIA IND. E COM. LTDA.

UNIT mm	SCALE 2:1	TITLE MINI DIN JACK HOOK PIN GROUDING STRIP	DATE OCTOBER 2007
TOLERANCE: ±0.25			APP. BY
		MATL	CHK. BY
		DWG. NO.	DR. BY DIEGO