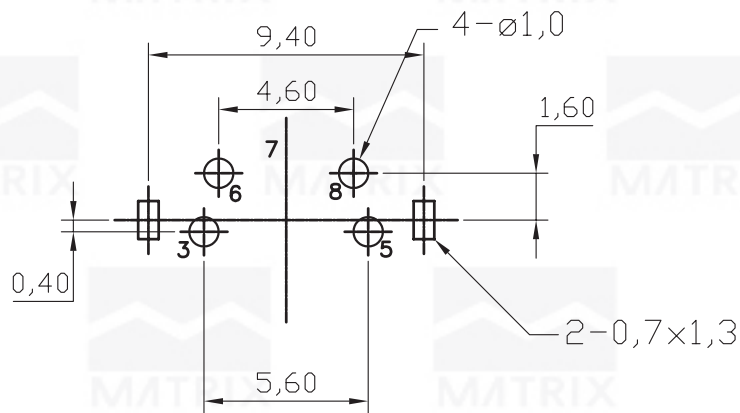
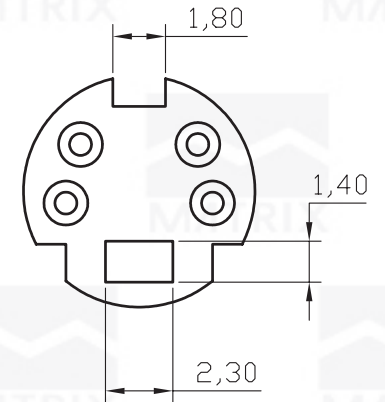
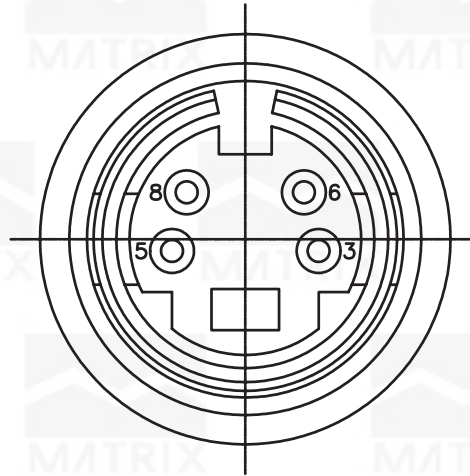
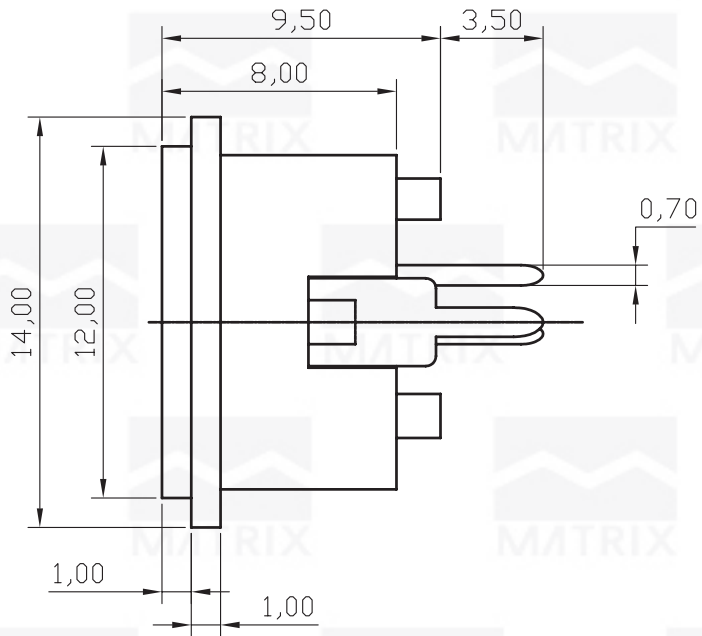


REV	ECN. NO.	APP	DATE
A	EDIÇÃO INICIAL		



**Recommended PCB Layout  
[BOTTOM VIEW]**

**HOW TO ORDER:  
MX-MD-180-[04]-[ ]-[ ]**

**1 2 3**

- 1- Nr. of Contacts 03 to 08
- 2- Contact Plating (S)- Silver (N)- Nickel
- 3- (R) RoHS Compliant



**MATRIX TECNOLOGIA IND. E COM. LTDA.**

UNIT	SCALE	TITLE	DATE
mm		MINI DIN JACK VERTICAL TYPE	OCTOBER 2007
TOLERANCE: ±0.25			APP. BY
		MATL	CHK. BY
		DWG. NO.	DR. BY DIEGO