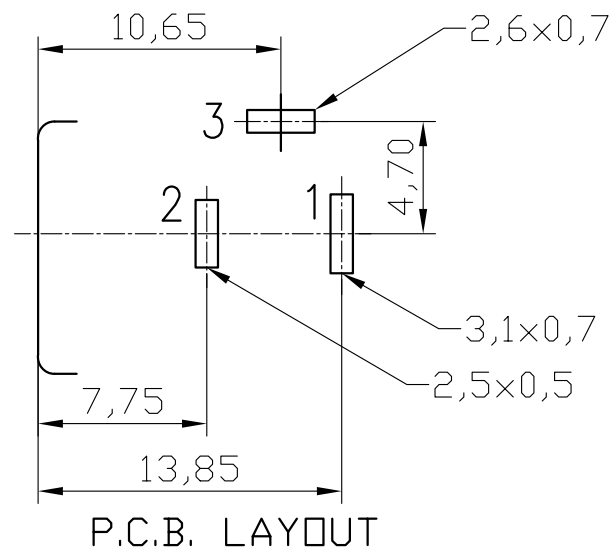
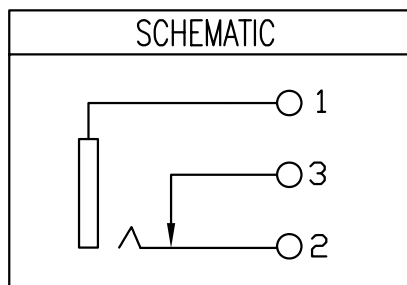
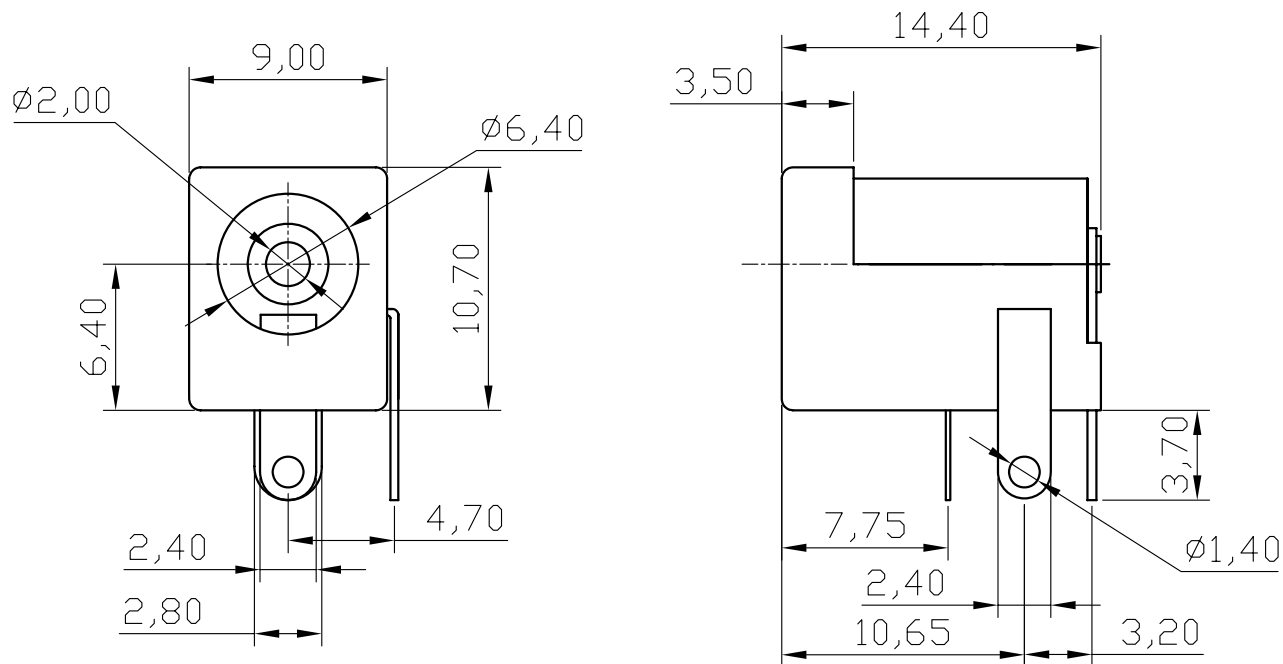


REV	ECN. NO.	APP	DATE
A	EDIÇÃO INICIAL		
B	NOVO CÓDIGO		



**HOW TO ORDER:
AJ200[2]D[]R
1 2**

- 1- Pin Diameter:
 (2)-2,0mm
 (25)-2,5mm
 2-Function:
 ()-90°
 (S)-180°



MATRIX TECNOLOGIA IND. E COM. LTDA.

UNIT mm	SCALE 3:1	TITLE DC POWER JACK 2,00mm	DATE MARCH 2010
TOLERANCE: ±0.25			APP. BY
		MATL	CHK. BY
		DWG. NO.	DR. BY FELIPE