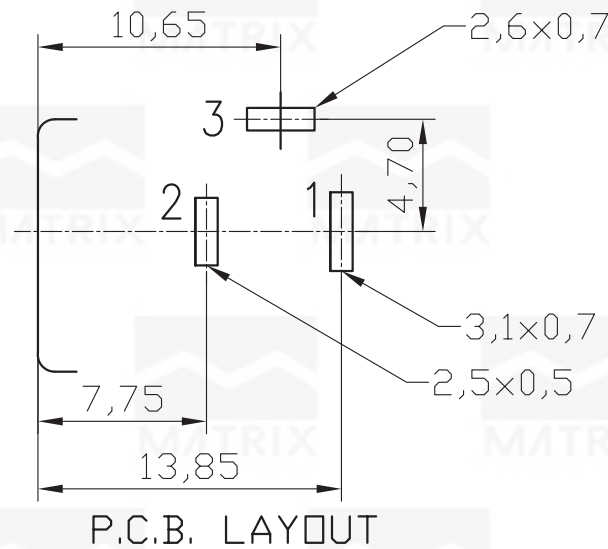
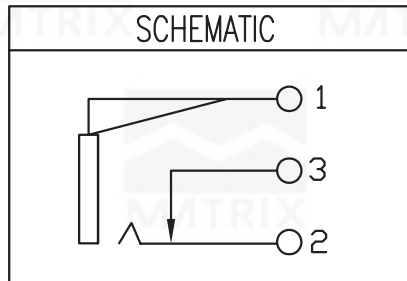
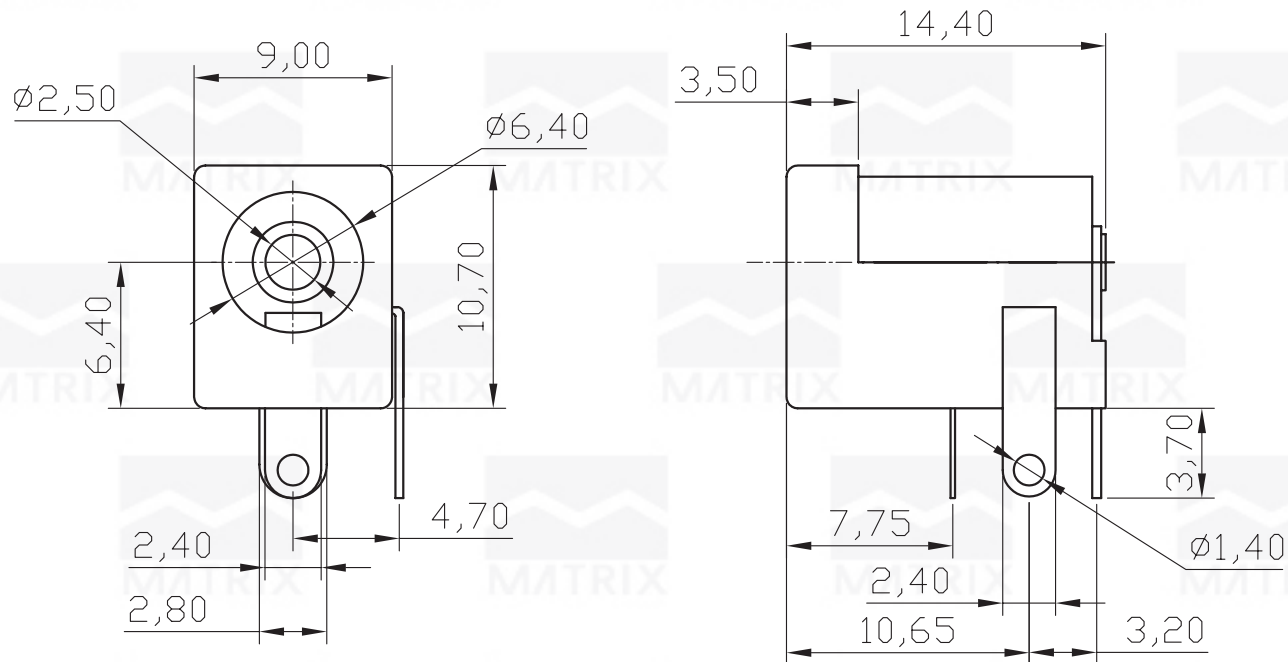

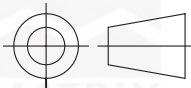


REV	ECN. NO.	APP	DATE
A	EDIÇÃO INICIAL		



HOW TO ORDER:
MX-AJ-200-[2,5]D-[]-[]
1 2 3

- 1- Pin Diameter:
 (2)-2,0mm
 (2,5)-2,5mm
- 2-Function:
 ()-90°
 (S)-180°
- 3- (R)-RoHS Compliant

 MATRIX TECNOLOGIA IND. E COM. LTDA.			
UNIT mm	SCALE 3:1	TITLE DC POWER JACK 2,5mm	DATE OCTOBER 2007
TOLERANCE: ± 0.25		MATL	APP. BY
		DWG. NO.	CHK. BY
			DR. BY DINO