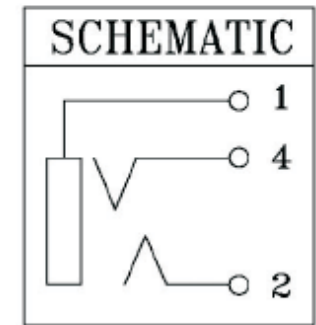
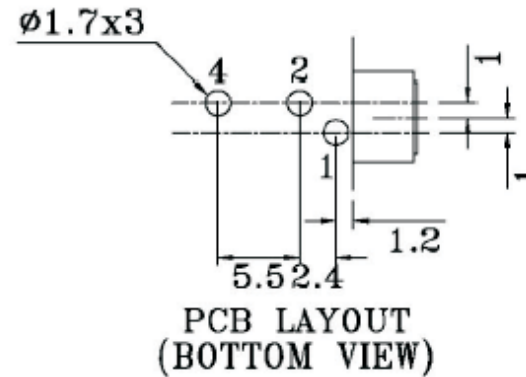
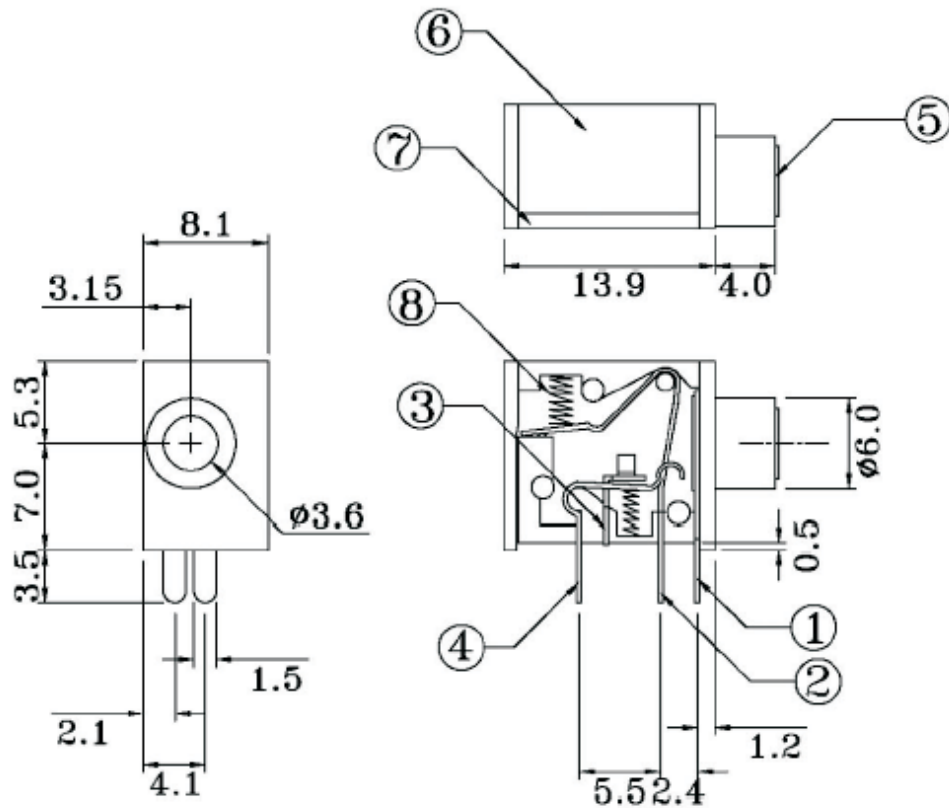


REV	ECN. NO.	APP	DATE
A	EDIÇÃO INICIAL		
B	NOVO CÓDIGO		



HOW TO ORDER: EJ[03]N[P]R 1 2

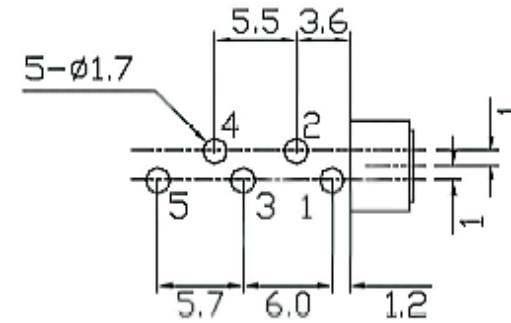
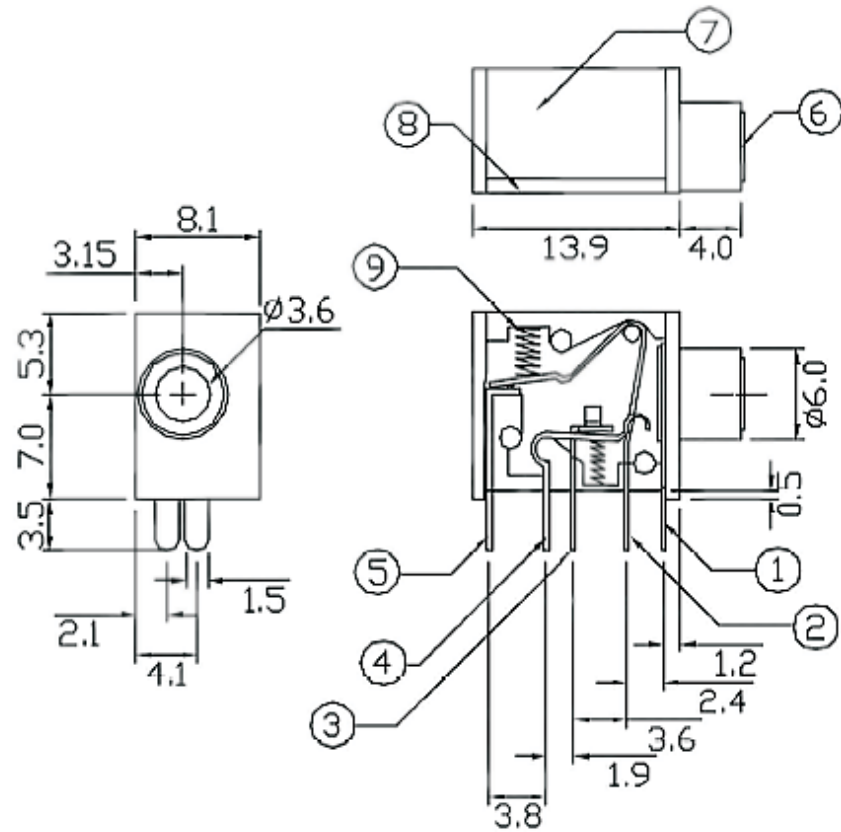
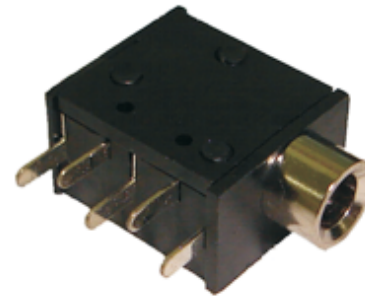
1- N° of Contacts:
03, 05

2- Head Type:
(P)-W/Plastic Insulator
(M)-All Metal W/Thread
(A)-All Metal W/O Thread
(H)-Half Metal W/O Thread

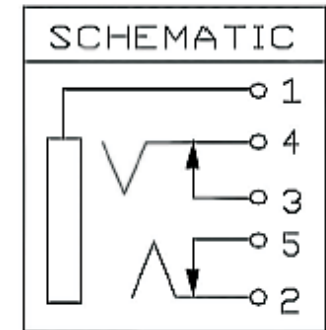
NO.	NAME	MATERIAL	FINISH	Q'TY
1	EARTH TERMINAL	BRASS t=0.3	TIN PLATED	1
2	TIP SPRING	PHOSPHOR BRONZE t=0.3	TIN PLATED	1
3	RING SHUNT	PHOSPHOR BRONZE t=0.3	TIN PLATED	1
4	RING SPRING	PHOSPHOR BRONZE t=0.3	TIN PLATED	1
5	BUSHING	BRASS	NICKEL PLATED	1
6	HOUSING	PBT+FIBRE	BLACK	1
7	COVER	PBT+FIBRE	BLACK	1
8	SPRING	STAINLESS STEEL	NICKEL PLATED	2

		MATRIX TECNOLOGIA IND. E COM. LTDA.	
UNIT mm	SCALE	TITLE EARPHONE JACK 3,5mm 03 CONTACTS	DATE MARCH 2010
TOLERANCE: ±0.25			APP. BY
		MATL	CHK. BY
		DWG. NO.	DR. BY Felipe

REV	ECN. NO.	APP	DATE
A	EDIÇÃO INICIAL		
B	NOVO CÓDIGO		



PCB LAYOUT
(BOTTOM VIEW)



HOW TO ORDER: EJ[05][N][A]R 1 2 3

1- N° of Contacts:
03, 05

2- Body Option:

(Y)-W/Transparent Cover
(N)-W/O Transparent Cover

3- Head Type:

(P)-W/Plastic Insulator

(M)-All Metal W/Thread

(A)-All Metal W/O Thread

(H)-Half Metal W/O Thread

NO.	NAME	MATERIAL	FINISH	Q'TY
1	EARTH TERMINAL	BRASS t=0.3	TIN PLATED TJN120~200u'	1
2	TIP SPRING	PHOSPHOR BRONZE t=1.3	TIN PLATED TJN120~200u'	1
3	RING SHUNT	PHOSPHOR BRONZE t=1.3	TIN PLATED TJN120~200u'	1
4	RING SPRING	PHOSPHOR BRONZE t=1.3	TIN PLATED TJN120~200u'	1
5	TIP SHUNT	BRASS t=0.3	TIN PLATED TJN120~200u'	1
6	BUSHING	BRASS	NICKEL PLATED NI180~120u'	1
7	HOUSING	PBT+FIBRE	BLACK	1
8	COVER	PBT+FIBRE	BLACK	1
9	SPRING	STAINLESS STEEL	NICKEL PLATED NI180~120u'	2



MATRIX TECNOLOGIA IND. E COM. LTDA.

UNIT mm	SCALE	TITLE EARPHONE JACK 3,5mm 05 CONTACTS	DATE MARCH 2010
TOLERANCE: ±0.25			APP. BY
		MATL	CHK. BY
DWG. NO.			DR. BY Felipe