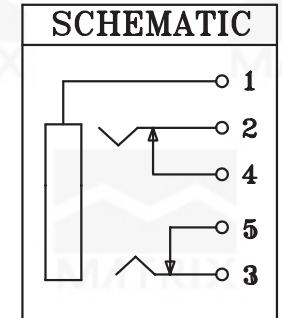
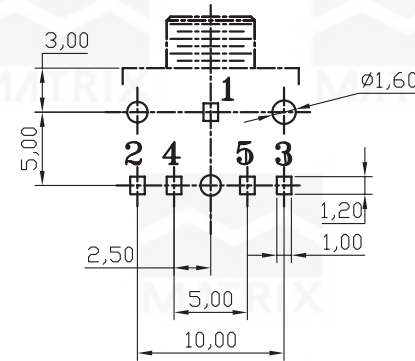
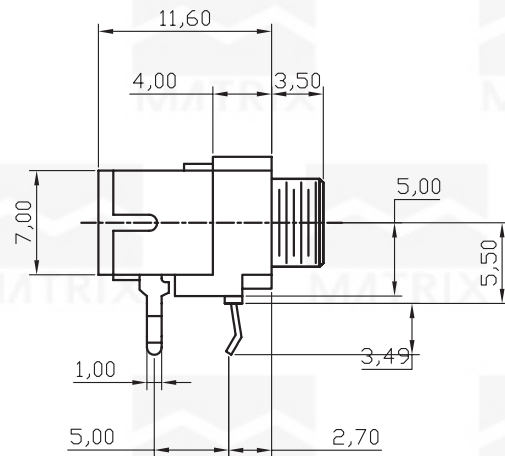
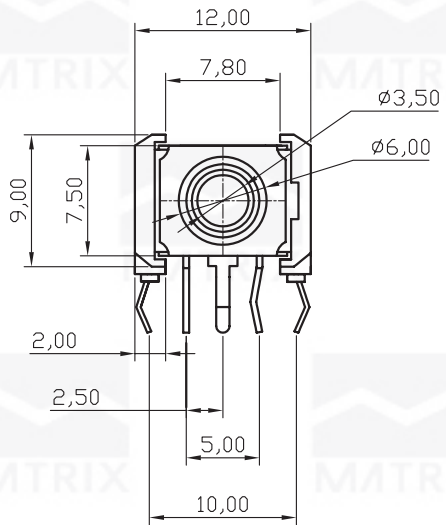
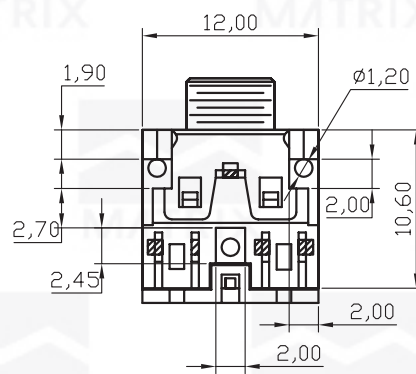
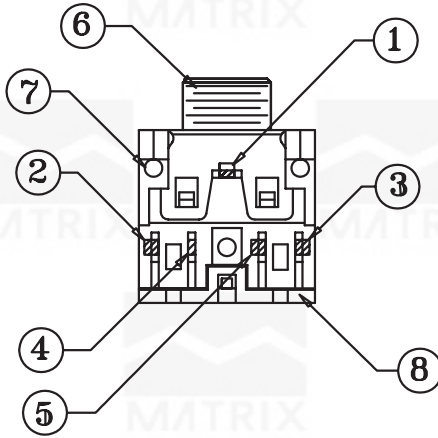


REV	ECN. NO.	APP	DATE
A	EDIÇÃO INICIAL		



**PCB LAYOUT
(BOTTOM VIEW)**



**HOW TO ORDER:
MX-EJ-A-[]-[]-[]-[]**
1 2 3 4

- 1- N°of Contacts:
03, 05
- 2- Body Material:
(P)-All Plastic
(M)-W/Metal Ring
(T)-W/Thread Metal Ring
- 3- Body Option:
(B)-W/Bracket
(N)-W/□ Bracket
(T)-W/Transparent Cover
- 4- (R)-RoHS Compliant

NO.	NAME	MATERIAL	FINISH
1	GROUND TERM.	C.R.S. 0.5THK	TIN PLATED
2	RING SPRING	PBS 0.3THK	TIN PLATED
3	TIP SPRING	PBS 0.3THK	TIN PLATED
4	RING BREAK	BRASS	TIN PLATED
5	TIP BREAK	BRASS	TIN PLATED
6	PLUG BUSHING	BRASS	NICKEL PLATED
7	HOUSING	P.B.T.	BLACK
8	BACK COVER	P.B.T.	BLACK



MATRIX TECNOLOGIA IND. E COM. LTDA.

UNIT mm	SCALE 2:1	TITLE EARPHONE JACK 3,5mm A TYPE	DATE OCTOBER 2007
TOLERANCE: ±0.25			APP. BY
		MATL	CHK. BY
		DWG. NO.	DR. BY DINO