

REV	ECN. NO.	APP	DATE
A	EDIÇÃO INICIAL		

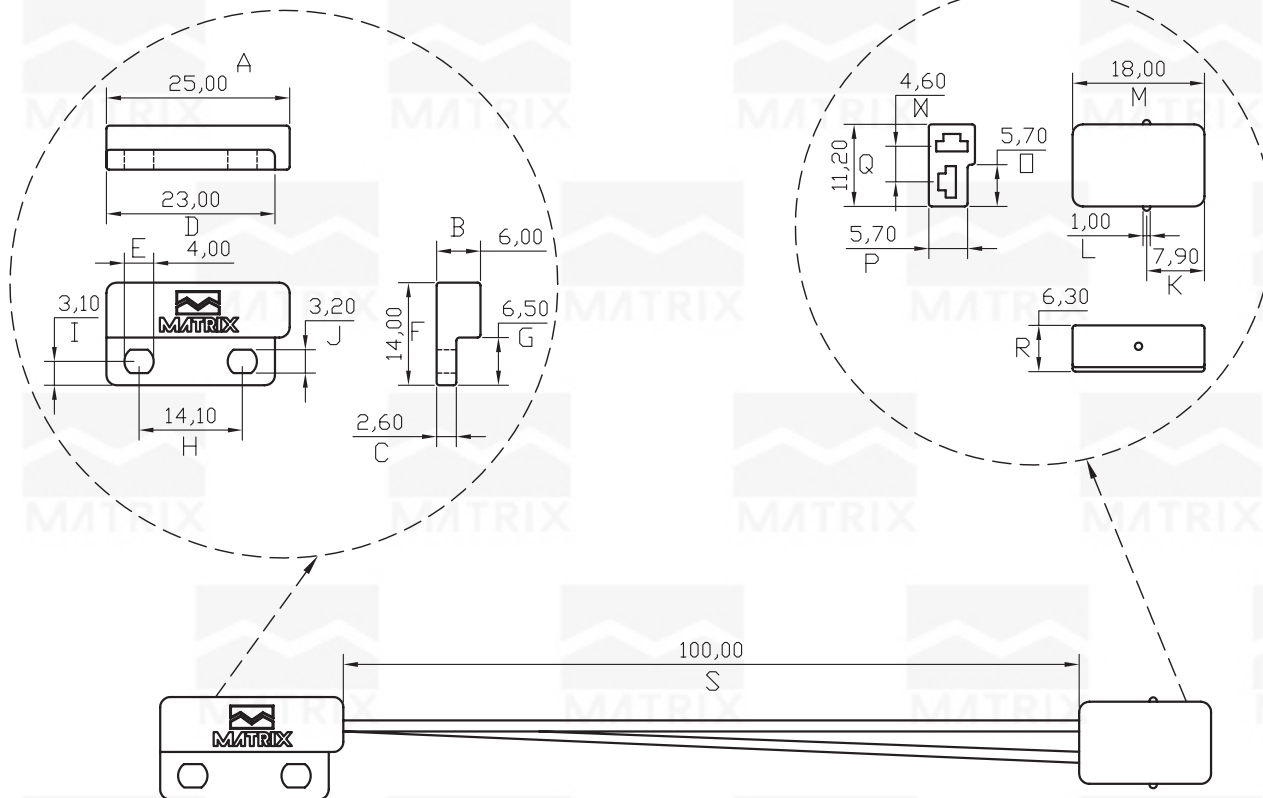
**Switch:**

P/N Matrix: MX-MS-RI01S  
 Reed Switch P/N: RI-01CA  
 Manufacturer: Coto  
 Material: PA66- 20 to 30% Fibre Glass  
 Wire: 0,3mm  
 70°C  
 300V

Housing for Terminal Faston  
 Material: Natural Polyester  
 Terminal: Faston 2,8mm Female  
 Material: Brass


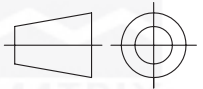
**Specifications:**

Maximum power Comutation: 10Watts  
 Resistance: 500mA  
 Switch Current (max): 500mA  
 Switch Voltage (max): 200VCO  
 Operate Time (max.): 0,6ms  
 Life Expectancy: 10<sup>8</sup> cycles  
 Sensor with Magnetic performance  
 Composition for: Magtetic and Reed Switch



**HOW TO ORDER:  
 MXM-SRI-01S-R**

**Magtetic:**  
 P/N Matrix: MX-MS-01SMR  
 Magtetic: P/N- M002/05  
 Magtetic: Barium Ferrite  
 Magnetization Bipolar Axial Longitudinal  
 Material: PA66- 20 to 30% Fibre Glass

 <b>MATRIX TECNOLOGIA IND. E COM. LTDA.</b>			
UNIT mm	SCALE	TITLE Magnetic Sensors and Systems	DATE OCTOBER 2007
TOLERANCE: ±0.25			APP. BY
		MATL	CHK. BY
		DWG. NO.	DR. BY DIEGO