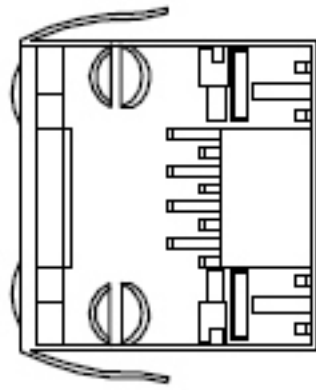
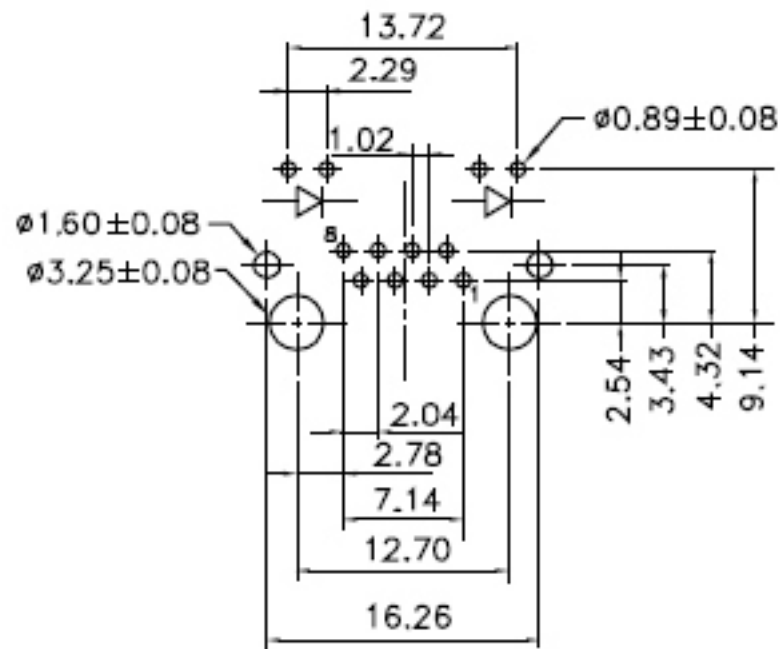
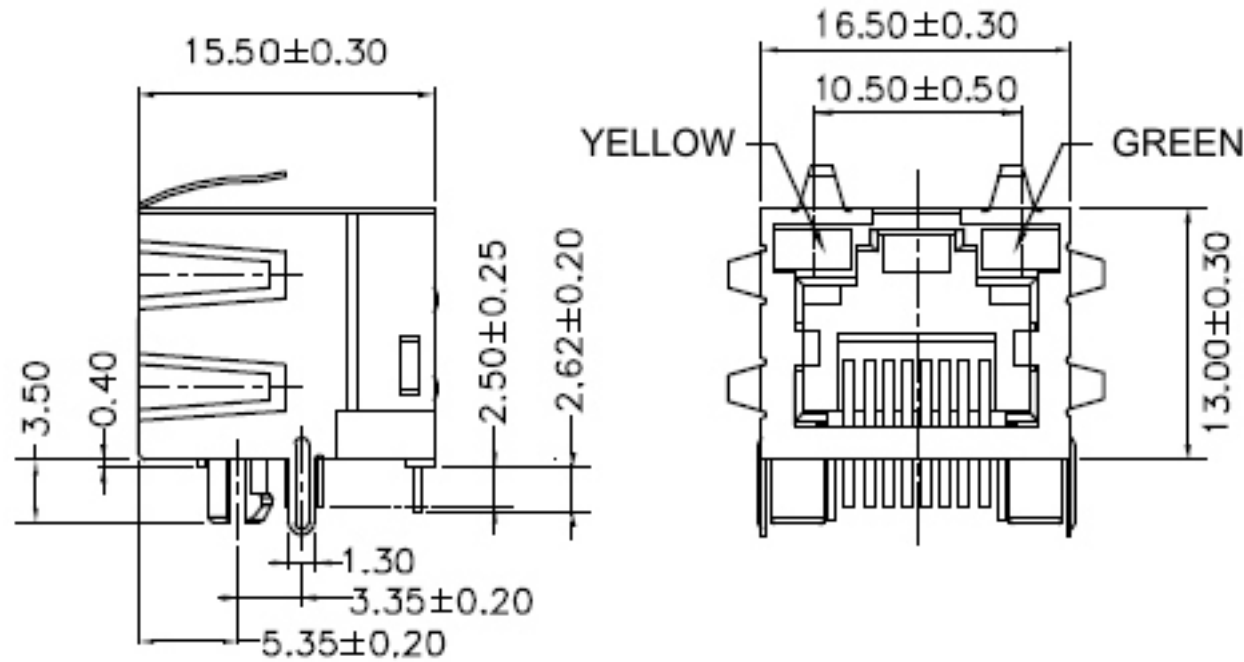


REV	ECN. NO.	APP	DATE
A	EDIÇÃO INICIAL		



ELECTRICAL:

Current Rating : 1,5 AMP
Voltage Rating : 150 VAC
Contact Resistance : 20 Milliohms MAX
Insulation Resistance : 500 Milliohms MIN
Dielectric Withstanding Voltage : 1000 VAC, 1min



PCB LAYOUT

HOW TO ORDER:
MX-2002-[8P8C]-[]-[YG]-[]-73-[]
1 2 3 4 5

- 1- No. Contact (8P8C)-RJ45
- 2- Contact Plating:
()-Gold 6U"
(15)-Gold 15U"
(30)-Gold 30U"
(50)-Gold 50U"
- 3- Led Option:
(YG)-With Yellow/Green Led
(GY)-With Green/Yellow Led
- 4- Gang Option:
()-1 Jack
(2)-2 Jacks
(4)-4 Jacks
(6)-6 Jacks
- 5- (R)-RoHS Compliant

		MATRIX Tecnologia Ind. e Com. Ltda.	
UNIT mm	SCALE	TITLE LED P.C.B JACK WITH YELLOW / GREEN LED	DATE September 2007
TOLERANCE: ±0.25			APP. BY
		MATL	CHK. BY
		DWG. NO.	DR. BY Dino