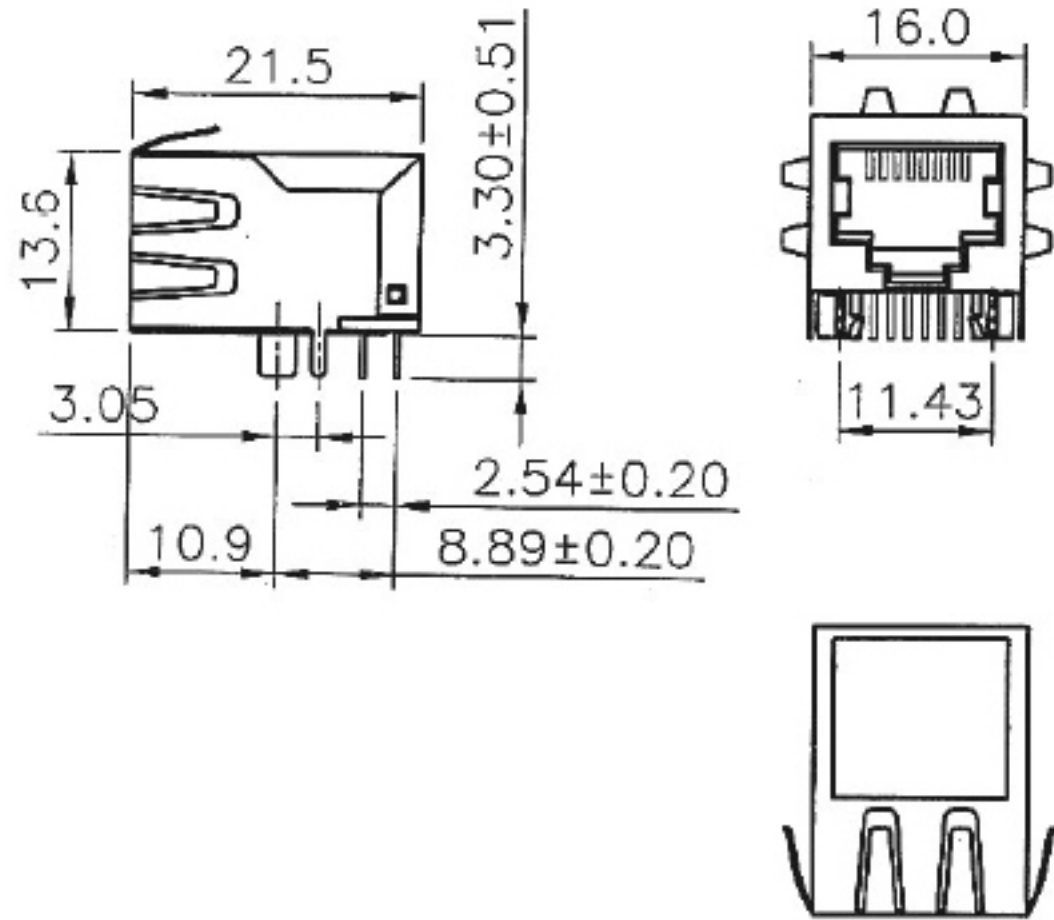
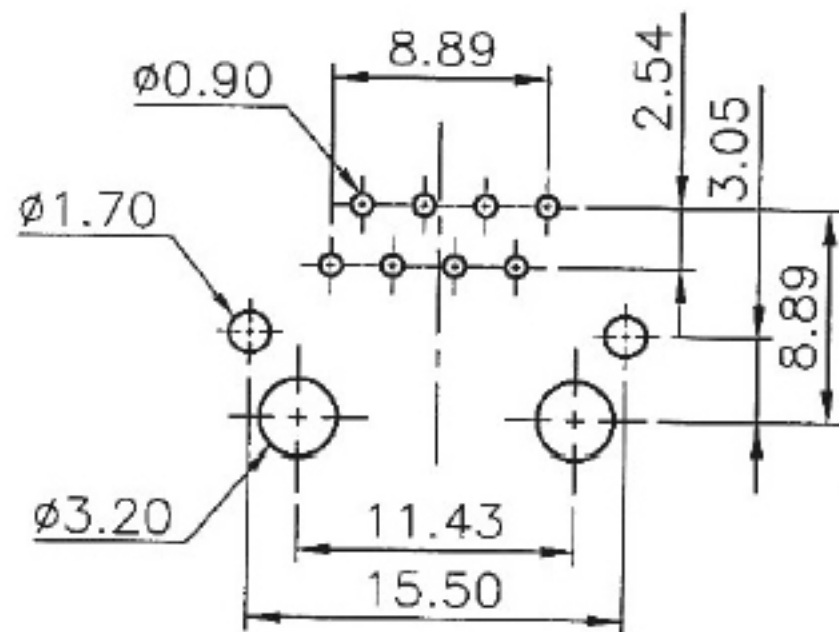


REV	ECN. NO.	APP	DATE
A	EDIÇÃO INICIAL		





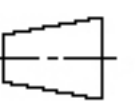
**Housing:** Glass Filled Polyester UL94V-0  
Standard Colour : Black  
**Insert :** Glass Filled Polyester UL94V-0  
Standard Colour : Black  
**Shield :** 0.25mm Brass Tin-Lead Plated



**PC Board Layout**

## HOW TO ORDER: MX-2002-[8P8C]-[ ]-[Y]-[ ]-72-[ ]

- |   |  |
|---|--|
| 1- No. Contact<br>(8P8C)  | 3- Body Option:<br>(Y)-With Fully Shielded   |
| 2- Contact Plating:<br>( )-Gold 6U"<br>(15)-Gold 15U"<br>(30)-Gold 30U"<br>(50)-Gold 50U" | 4- Gang Option:<br>( )-1 Jack<br>(4)-4 Jacks |
|   | 5- (R)-RoHS Compliant                        |

 <b>MATRIX</b>		<b>MATRIX Tecnologia Ind. e Com. Ltda.</b>	
UNIT mm	SCALE	TITLE	DATE September 2007
TOLERANCE: ±0.25		RJ Transformer P.C.B. Jack	APP. BY
		MATL	CHK. BY
		DWG. NO.	DR. BY DINO