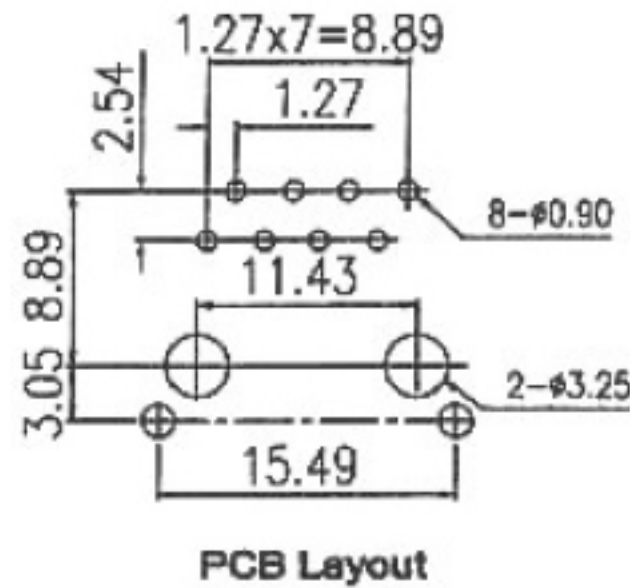
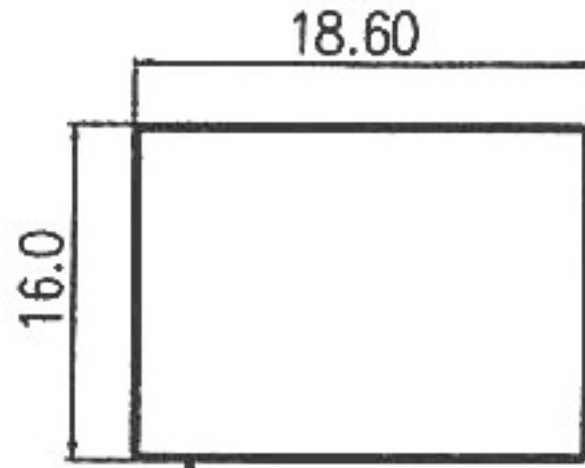
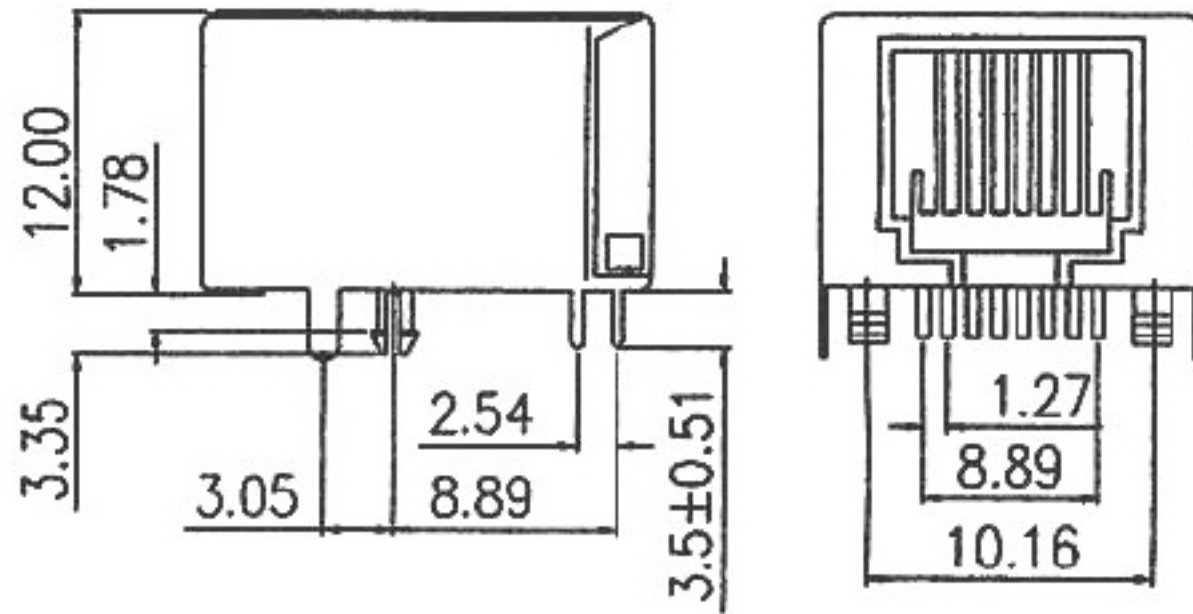


REV	ECN. NO.	APP	DATE
A	EDIÇÃO INICIAL		



### MATERIAL

Housing: Glass Filled Polyester UL94V-0, Black


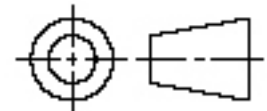
Shielding: 0.25mm Thick Copper Alloy, Tin-plated

Contact: 0.45mm Diameter Phosphor Bronze

### HOW TO ORDER: MX-2002-[ ]-[ ]-[Y]-57-[ ]

1    2    3    4

- |                |                         |
|----------------|-------------------------|
| 1- No. Contact | 2- Contact Plating:     |
| (4P2C)         | ( )-Gold 6U"            |
| (4P4C)         | (15)-Gold 15U"          |
| (6P2C)         | (30)-Gold 30U"          |
| (6P4C)         | (50)-Gold 50U"          |
| (6P6C)         | 3- Body Option:         |
| (8P2C)         | (N)-W/O Shielded        |
| (8P4C)         | (Y)-With Fully Shielded |
| (8P6C)         | (F)-Front Shielded Only |
| (8P8C)         | 4- (R)-RoHS Compliant   |

 <b>MATRIX Tecnologia Ind. e Com. Ltda.</b>			
UNIT mm	SCALE	TITLE Side Entry LP P.C.B Jack	DATE September 2007
TOLERANCE: ±0.25			APP. BY
		MATL	CHK. BY
		DWG. NO.	DR. BY Diego