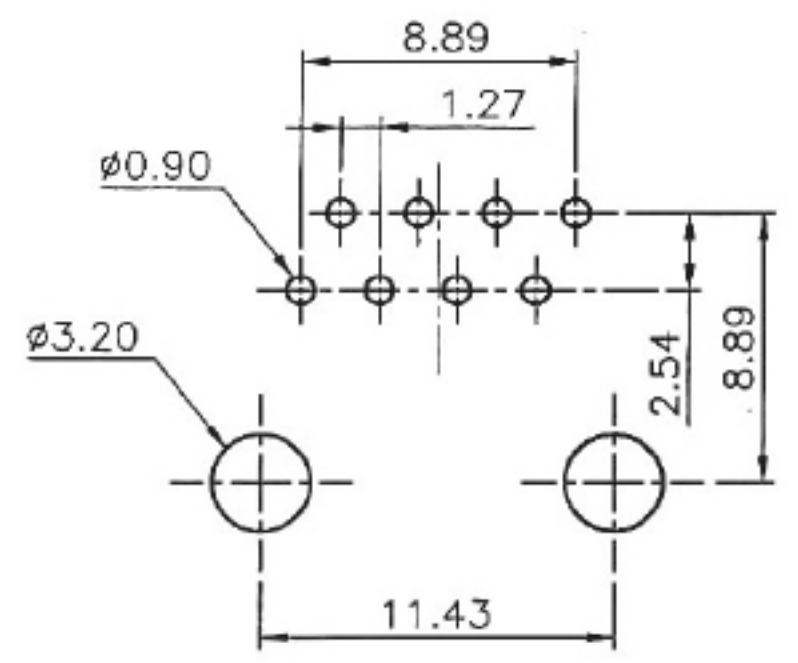
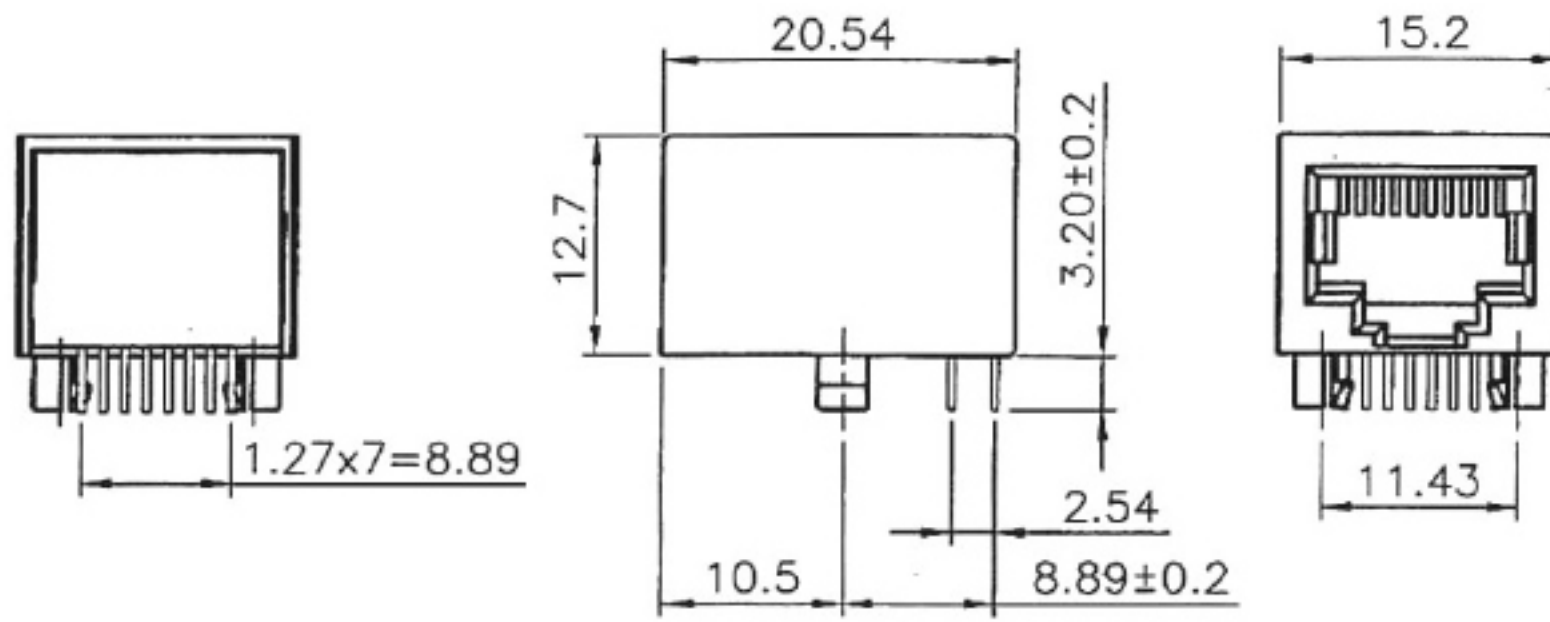


REV	ECN. NO.	APP	DATE
A	EDIÇÃO INICIAL		



PC Board Layout
Component Side Shown

HOW TO ORDER:
MX-2002-[8P8C]-[]-[N]-[]-71-[]

- | | | | | |
|--------------------------|---|---|---|-----------------------|
| 1 | 2 | 3 | 4 | 5 |
| 1- No. Contact
(8P8C) | 2- Contact Plating:
()-Gold 6U"
(15)-Gold 15U"
(30)-Gold 30U"
(50)-Gold 50U" | 3- Body Option:
(N)-W/O Shielded
(G)Fully Shielded A Type
(H)Fully Shielded B Type
(I)Fully Shielded C Type | 4- Gang Option:
()-1 Jack
(2)-2 Jacks
(4)-4 Jacks
(6)-6 Jacks
(8)-8 Jacks | 5- (R)-RoHS Compliant |

		MATRIX Tecnologia Ind. e Com. Ltda.	
UNIT mm	SCALE	TITLE	DATE September 2007
TOLERANCE: ±0.25		Side Entry C.5 P.C.B Jack	APP. BY
		MATL	CHK. BY
		DWG. NO.	DR. BY Diego