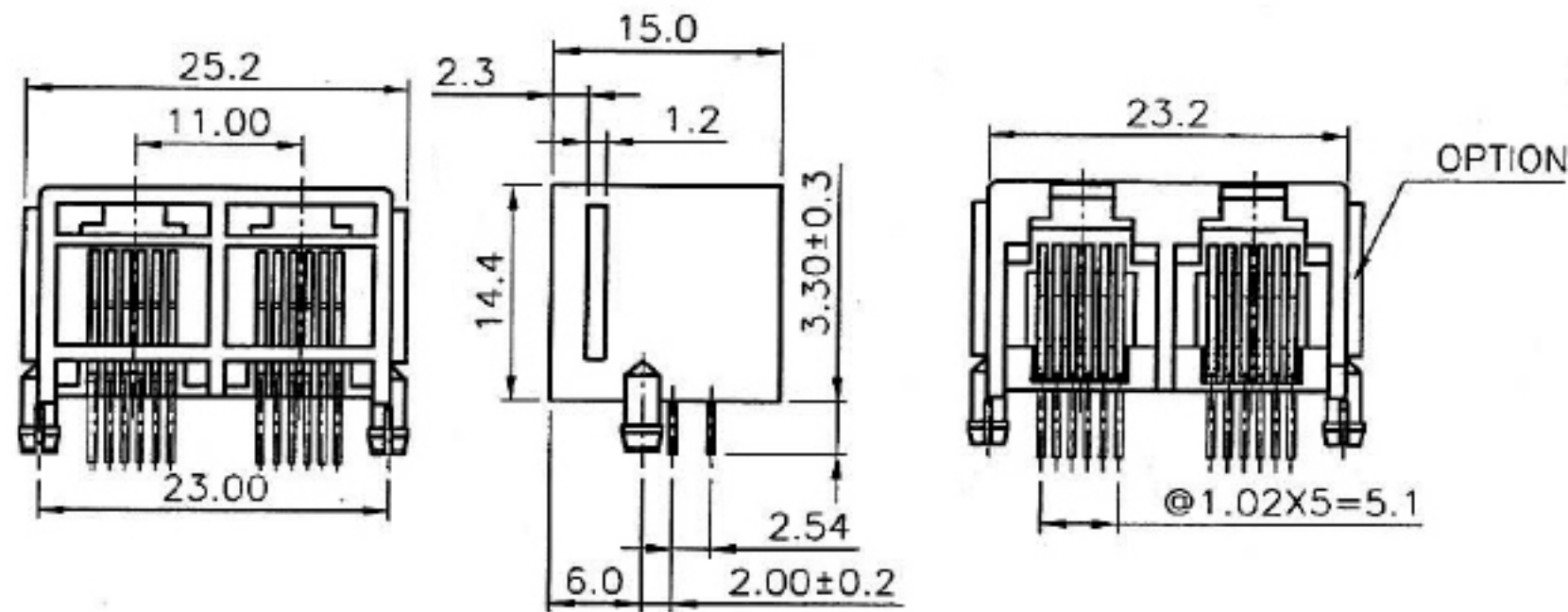


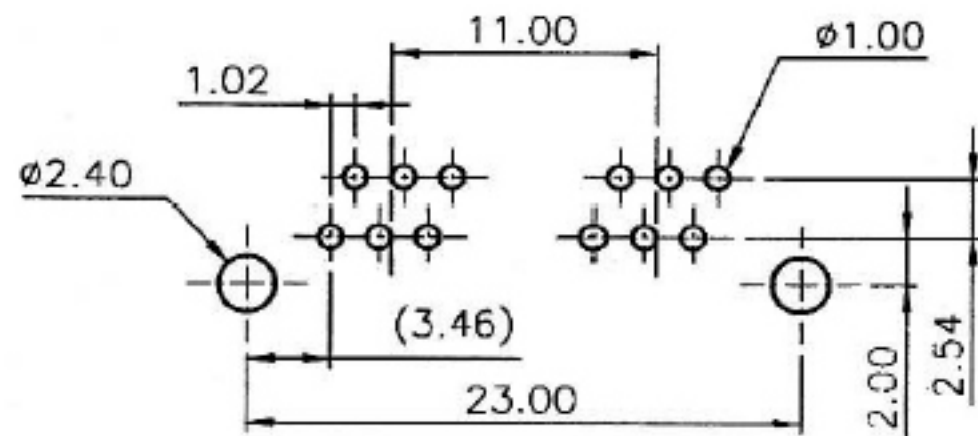
REV	ECN. NO.	APP	DATE
A	EDIÇÃO INICIAL		



HOW TO ORDER: MX-2002-[]-[]-[A]-79-[]

1 2 3 4

- 1- No. Contact
(6P2C)
(6P4C)
(6P6C)
- 2- Contact Plating:
()-Gold 6U"
(15)-Gold 15U"
(30)-Gold 30U"
(50)-Gold 50U"
- 3- Body Option:
(A)-With Panel Stop (Unshielded)
(B)-W/O Panel Stop (Unshielded)
- 4- (R)-RoHS Compliant



PC Board Layout

		MATRIX Tecnologia Ind. e Com. Ltda.	
UNIT mm	SCALE	TITLE Side Entry LP Dual Port Jack (6P)	DATE September 2007
TOLERANCE: ±0.25			APP. BY
		MATL	CHK. BY
		DWG. NO.	DR. BY Diego