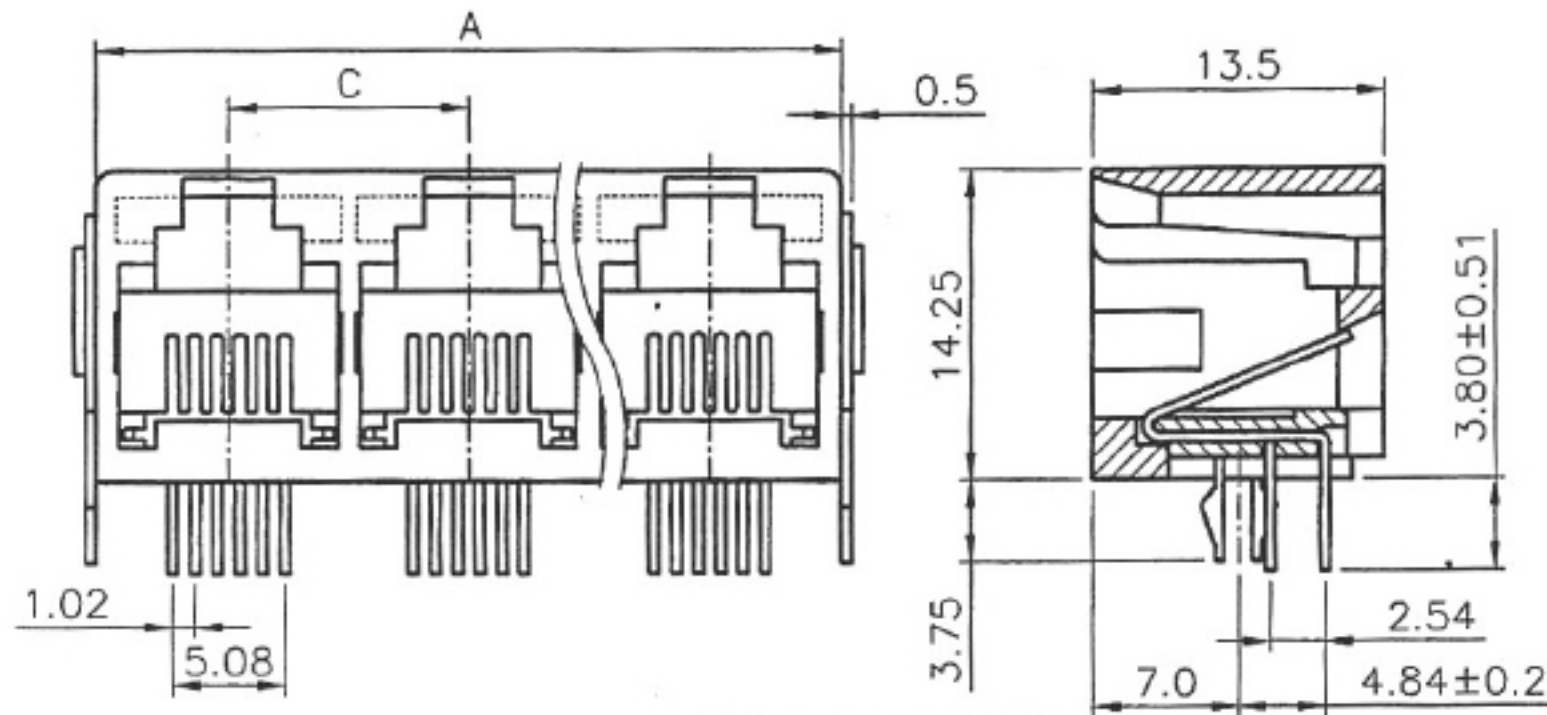


REV	ECN. NO.	APP	DATE
A	EDIÇÃO INICIAL		

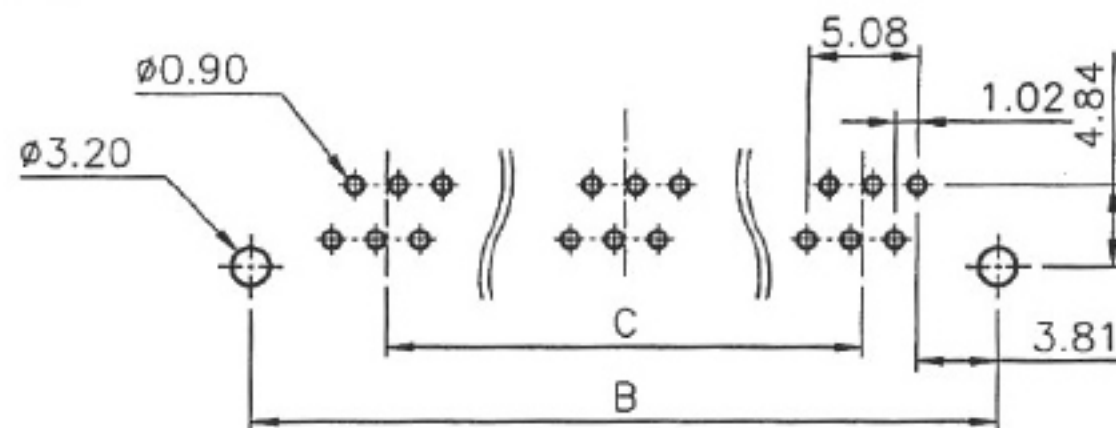


DIMENSION	NO. OF PORT										
	2	3	4	5	6	7	8	9	10	11	12
A	23.2	34.2	45.2	56.2	67.2	78.2	89.2	100.2	111.2	122.2	133.2
B	23.7	34.7	45.7	56.7	67.7	78.7	89.7	100.7	111.7	122.7	133.7
C	11.00	22.00	33.00	44.00	55.00	66.00	77.00	88.0	99.0	110.0	121.0



## HOW TO ORDER: MX-2002-[ ]-[ ]-[P]-[3]-67-[ ]

1 2 3 4 5

- 1- No. Contact  
(6P2C)  
(6P4C)  
(6P6C)
- 2- Contact Plating:  
( )-Gold 6U"  
(15)-Gold 15U"  
(30)-Gold 30U"  
(50)-Gold 50U"
- 3- Body Option:  
(P)-Parallel Metal Pegs
- 4- Gang Option:  
( )-1 Jack  
(2)-2 Jacks  
(3)-3 Jacks  
(4)-4 Jacks  
(5)-5 Jacks  
(6)-6 Jacks
- 5- (R)-RoHS Compliant



PC Board Layout

 <b>MATRIX Tecnologia Ind. e Com. Ltda.</b>			
UNIT mm	SCALE	TITLE	DATE September 2007
TOLERANCE: ±0.25		Side Entry LP P.C.B Jack Metal Pegs	APP. BY
		MATL	CHK. BY
DWG. NO.			DR. BY Diego