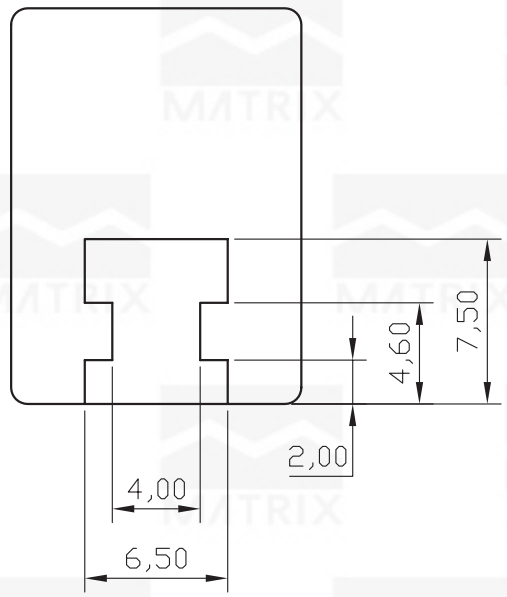
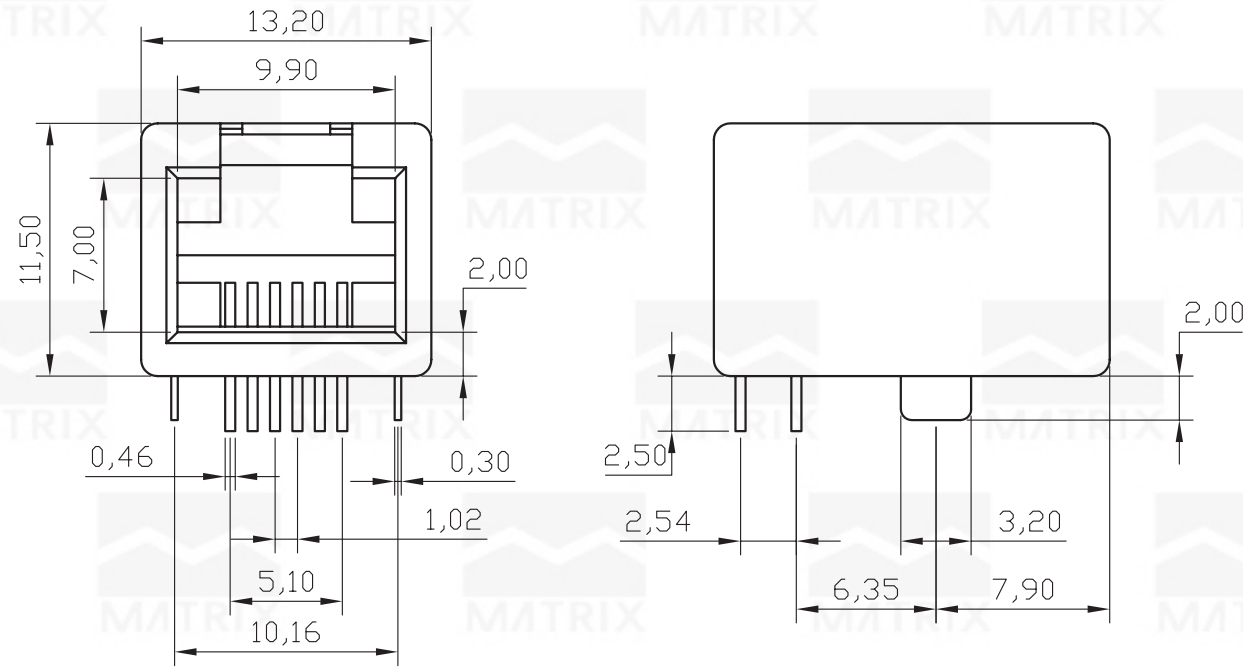

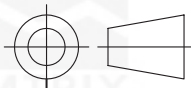


REV	ECN. NO.	APP	DATE
A	EDIÇÃO INICIAL		



**HOW TO ORDER:**  
**MX-2002-[ ]-[ ]-[ ]-[M]-66-[ ]**  
**1 2 3 4 7**

- 1- No. Contact (6P2C) (6P4C) (6P6C) (8P2C) (8P4C) (8P6C) (8P8C)
- 2- Contact Plating: ( )-Gold 6U" (15)-Gold 15U" (30)-Gold 30U" (50)-Gold 50U"
- 3- Gang Option: ( )-1 Jack (2)-2 Jacks
- 4- Foot Type: (S)-Split Foot (M)-Metal Foot
- 5- (R)-RoHS Compliant

		<b>MATRIX Tecnologia Ind. e Com. Ltda.</b>	
UNIT mm	SCALE 3:1	TITLE Side Entry Modular P.C.B Jack Metal Foot	DATE September 2007
TOLERANCE: ±0.25		MATL	APP. BY
		DWG. NO.	CHK. BY DR. BY Diego