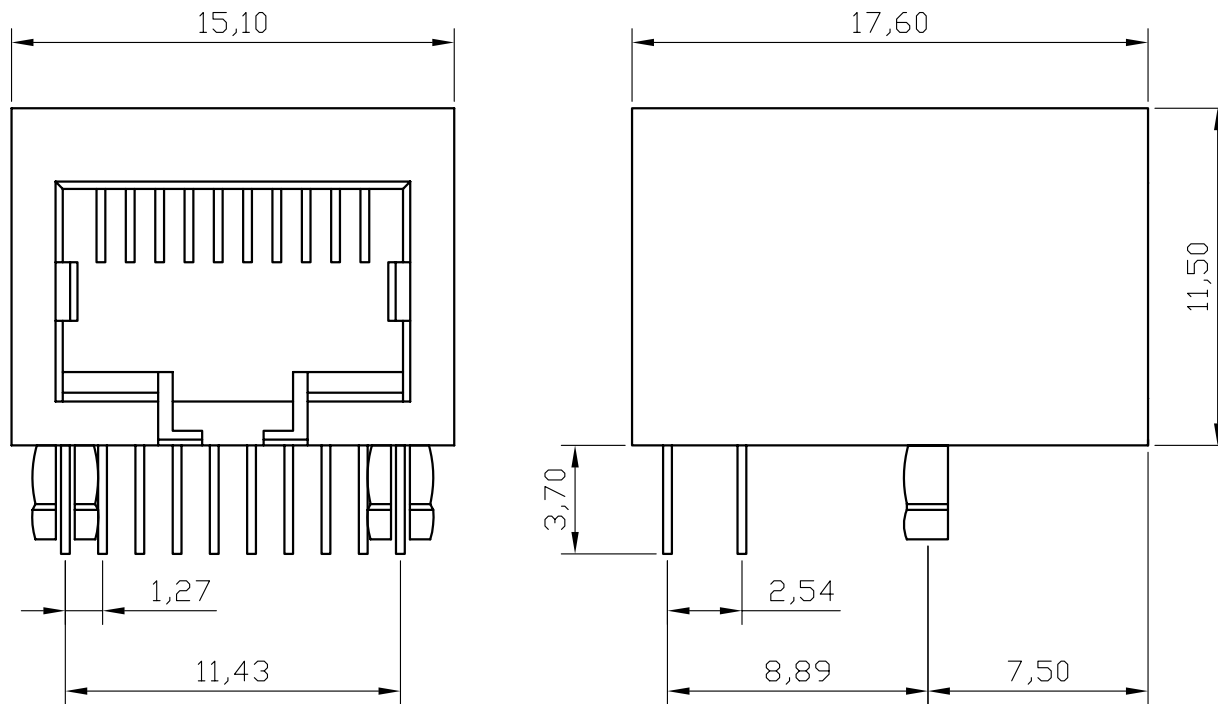
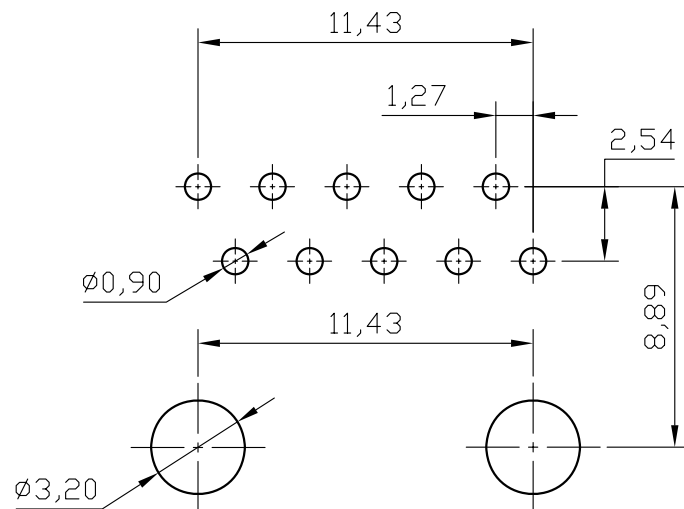


REV	ECN. NO.	APP	DATE
A	EDIÇÃO INICIAL		
B	NOVO CÓDIGO		



SPECIFICATIONS

Voltage Rating: 125 Vac
 Current Rating: 1,5 Amp
 Contact Resistance: 30 MilliΩ max.
 Insulation Resistance: 1000 MegaΩ min.
 Dielectric Strength: 1000 Vac Rms 60Hz, 1 min.
 Temperature Operation: 0°C to 70°C



P.C.B. Layout

HOW TO ORDER: 2002[10P10C][][N][]62R

1 2 3 4

- | | |
|---|---|
| 1- No. Contact
(10P2C)
(10P4C)
(10P6C)
(10P8C)
(10P10C) | 3- Body Option:
(N)-w/o Shielded
(G)Fully Shielded A Type
(H)Fully Shielded B Type |
| 2- Contact Plating:
()-Gold 6U"
(15)-Gold 15U"
(30)-Gold 30U"
(50)-Gold 50U" | 4- Gang Option:
()-1 Jack
(2)-2 Jacks
(4)-4 Jacks
(6)-6 Jacks
(8)-8 Jacks |



MATRIX Tecnologia Ind. e Com. Ltda.

UNIT mm	SCALE 4:1	TITLE Side Entry P.C.B. Jack 10P	DATE DECEMBER 2009
TOLERANCE: ±0.25			APP. BY
		MATL	CHK. BY
		DWG. NO.	DR. BY FELIPE