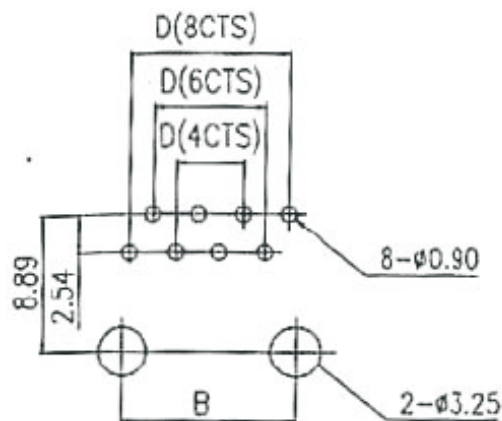
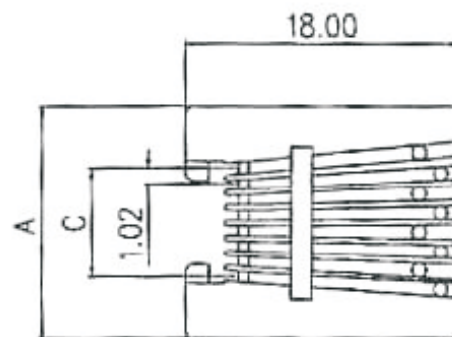
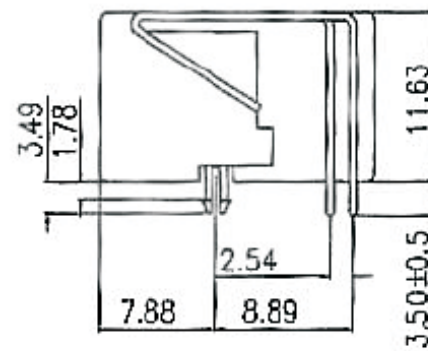
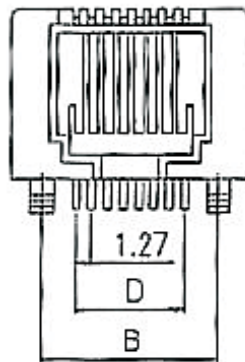


REV	ECN. NO.	APP	DATE
A	EDIÇÃO INICIAL		
B	NOVO CÓDIGO		



PCB Layout

No. of Positions	Dimensions			
	A	B	C	D
4	11.18	7.62	3.05	3.81
6	13.20	10.16	5.08	6.35
8	15.15	11.43	7.11	8.89

HOW TO ORDER: 2002[] [] [N]57R 1 2 3

- | | |
|--|---|
| 1- No. Contact
(4P2C)
(4P4C)
(6P2C)
(6P4C)
(6P6C)
(8P2C)
(8P4C)
(8P6C)
(8P8C) | 2- Contact Plating:
()-Gold 6U"
(15)-Gold 15U"
(30)-Gold 30U"
(50)-Gold 50U" |
| 3- Body Option:
(N)-W/O Shielded
(Y)-With Fully Shielded
(F)-Front Shielded Only | |



MATRIX Tecnologia Ind. e Com. Ltda.

UNIT	SCALE	TITLE	DATE
mm		Side Entry LP P.C.B Jack	DECEMBER 2009
TOLERANCE: ±0.25			APP. BY
		MATL	CHK. BY
		DWG. NO.	DR. BY Felipe