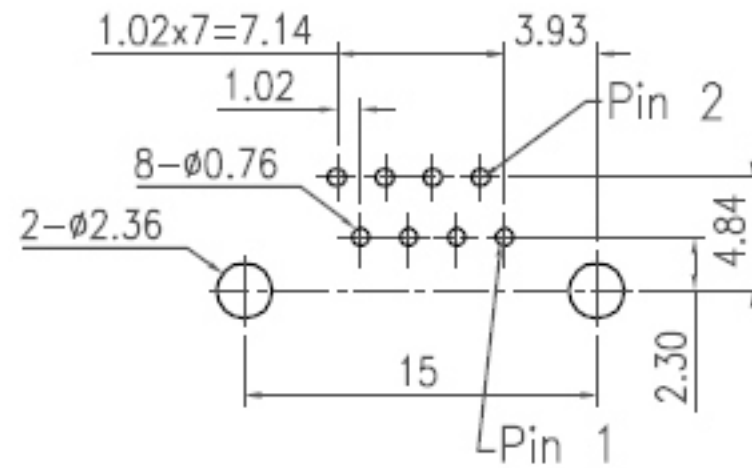
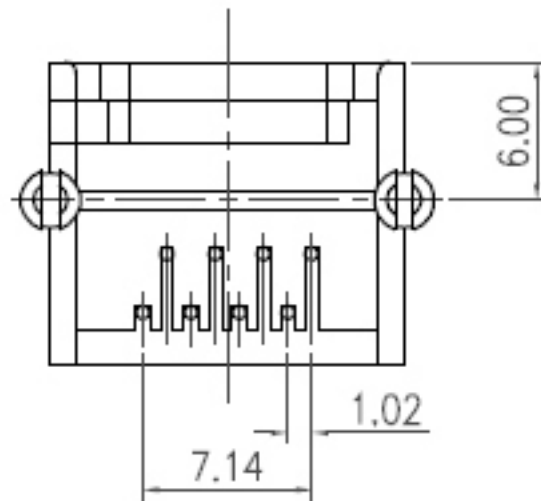
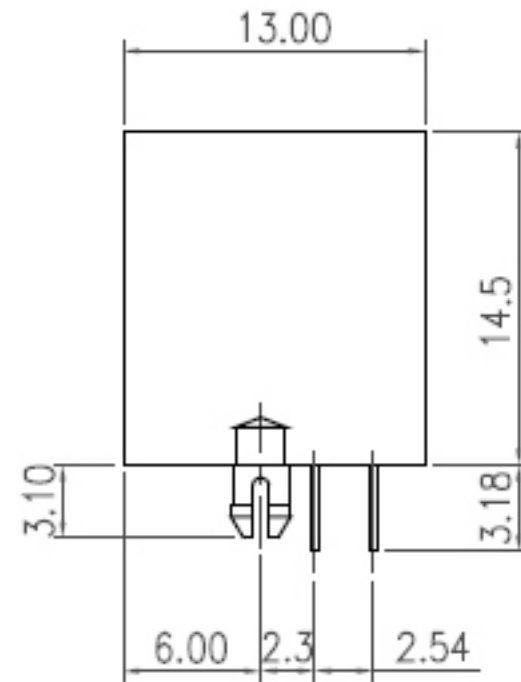
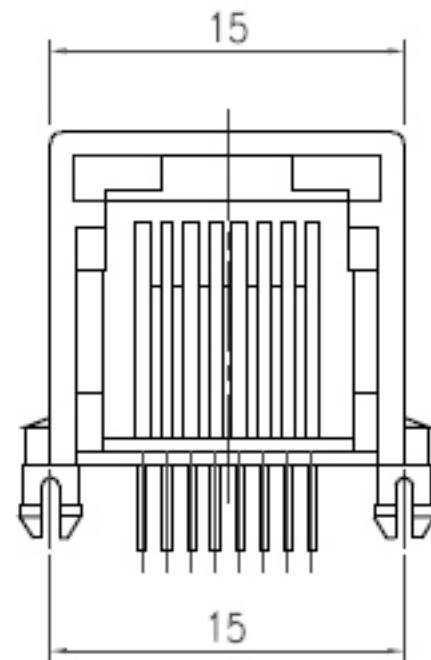


REV	ECN. NO.	APP	DATE
A	EDIÇÃO INICIAL		


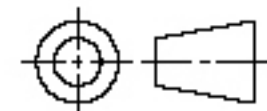


PCB Layout

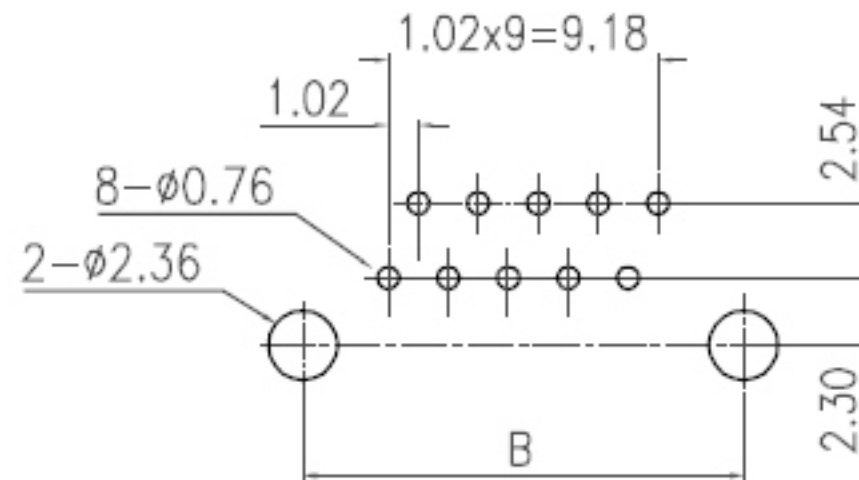
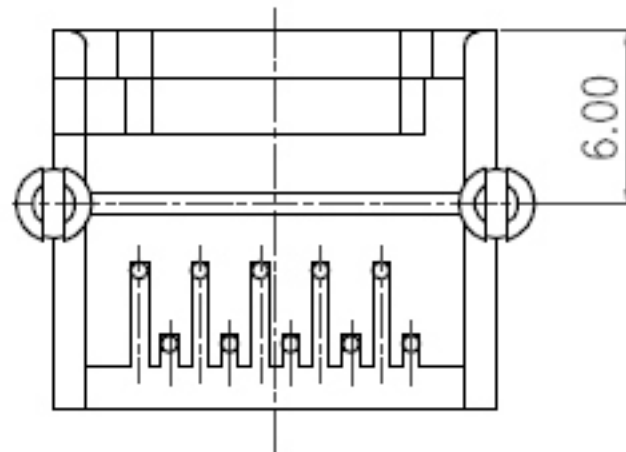
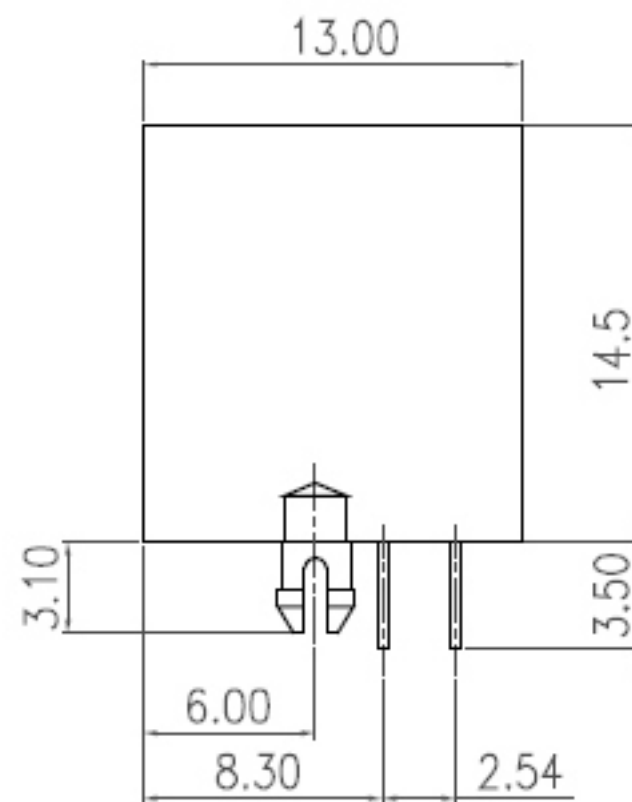
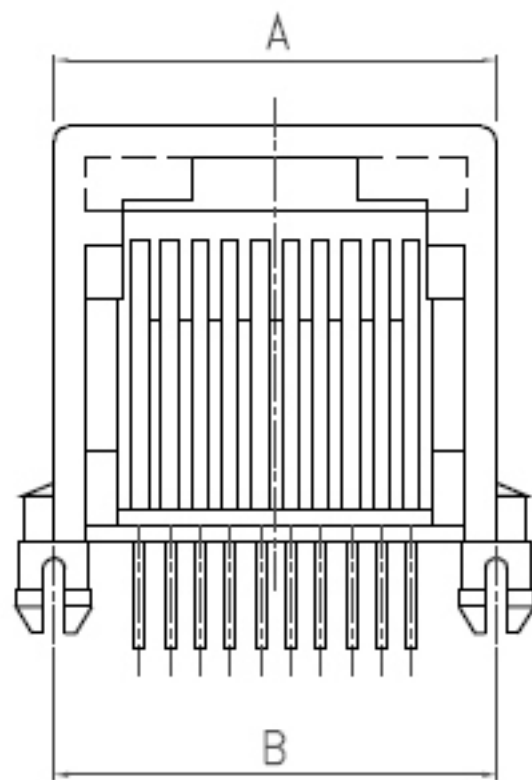
HOW TO ORDER: MX-2002-[8PXC]-[]-[B]-[]-[]

1 2 3 4 5

- | | | |
|--|---|--|
| 1- No. Contact
(8P2C)
(8P4C)
(8P2C)
(8P4C)
(8P6C)
(8P8C) | 2- Contact Plating:
()-Gold 6U"
(15)-Gold 15U"
(30)-Gold 30U"
(50)-Gold 50U" | 4- Gang Option:
()-1 Jack
(2)-2 Jacks
(3)-3 Jacks
(4)-4 Jacks
(5)-5 Jacks
(6)-6 Jacks
(7)-7 Jacks
(8)-8 Jacks
(9)-9 Jacks
(10)-10 Jacks
(11)-11 Jacks
(12)-12 Jacks |
| 3- Body Option:
(A)-With Panel Stop (Unshielded)
(B)-W/O Panel Stop (Unshielded) | | 5- (R)-RoHS Compliant |

 MATRIX Tecnologia Ind. e Com. Ltda.			
UNIT mm	SCALE	TITLE Side entry Mini LP PCB Jack	DATE September 2007
TOLERANCE: ±0.25			APP. BY
		MATL	CHK. BY
DWG. NO.			DR. BY Diego

REV	ECN. NO.	APP	DATE
A	EDIÇÃO INICIAL		


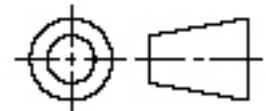


PCB Layout

**HOW TO ORDER:
MX-2002-[]-[]-[B]-[]-[]**

- 1** 1- No. Contact
(4P2C)
(4P4C)
(6P2C)
(6P4C)
(6P6C)
(10P2C)
(10P4C)
(10P6C)
(10P8C)
(10P10C)
- 2** 2- Contact Plating:
()-Gold 6U"
(15)-Gold 15U"
(30)-Gold 30U"
(50)-Gold 50U"
- 3** 3- Body Option:
(A)-With Panel Stop (Unshielded)
(B)-W/O Panel Stop (Unshielded)
- 4** 4- Gang Option:
()-1 Jack
(2)-2 Jacks
(3)-3 Jacks
(4)-4 Jacks
(5)-5 Jacks
(6)-6 Jacks
(7)-7 Jacks
(8)-8 Jacks
(9)-9 Jacks
(10)-10 Jacks
(11)-11 Jacks
(12)-12 Jacks
- 5** 5- (R)-RoHS Compliant

No. of Positions	Dimensions	
	A	B
4	10	10
6	12.2	12
10	15	15

 MATRIX Tecnologia Ind. e Com. Ltda.			
UNIT mm	SCALE	TITLE	DATE September 2007
TOLERANCE: ±0.25		Side entry Mini LP PCB Jack 4P, 6P and 10P	APP. BY
		MATL	CHK. BY
DWG. NO.			DR. BY Diego

