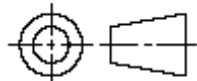


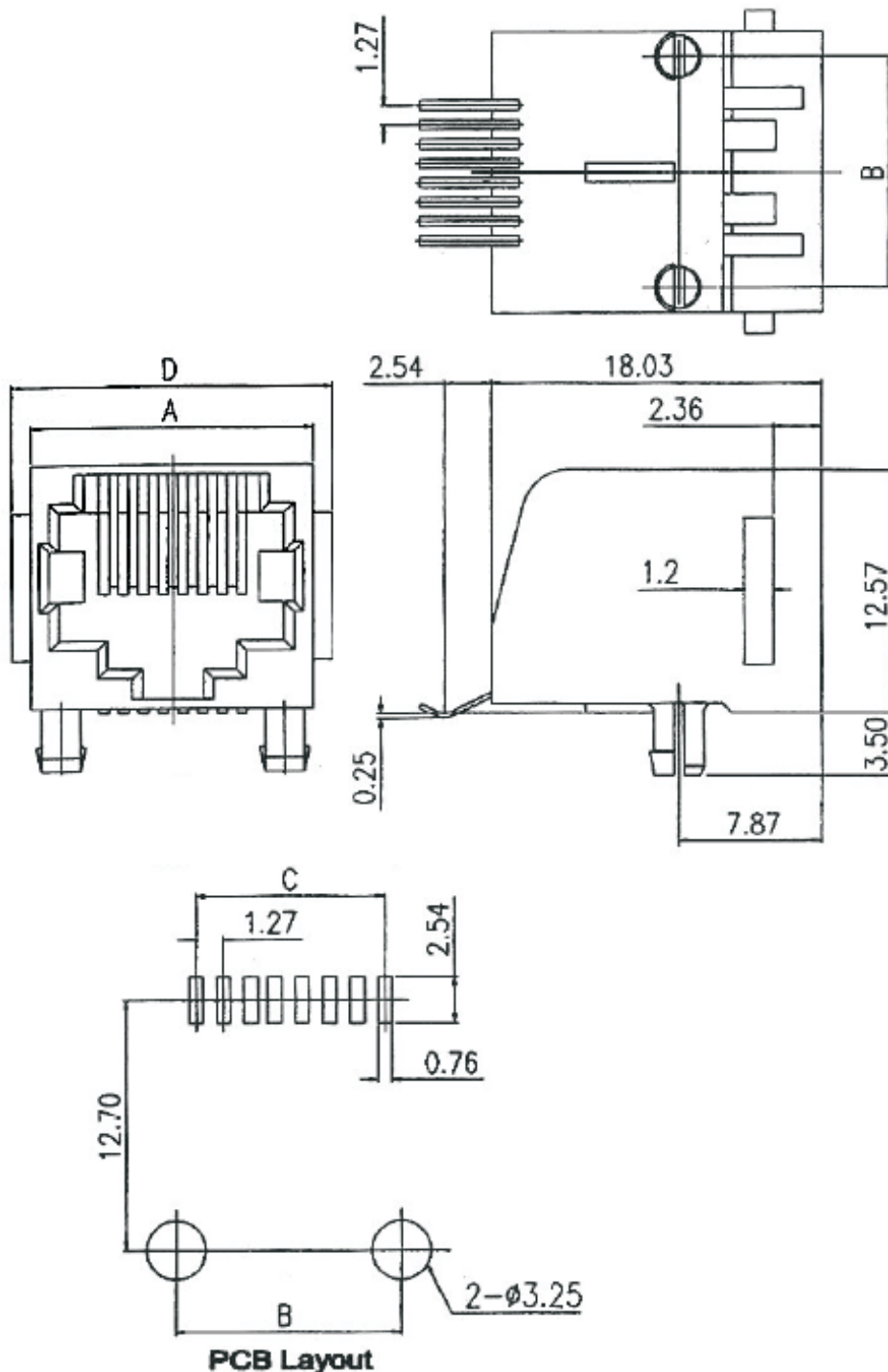
REV	ECN. NO.	APP	DATE
A	EDIÇÃO INICIAL		
B	NOVO CÓDIGO		

No. of Positions	Dimensions			
	A	B	C	D
4	11.10	7.62	3.81	13.64
6	13.21	10.16	6.35	15.74
8	15.24	11.43	8.89	17.78

HOW TO ORDER: 2002[] [] [A][D]65R 1 2 3 4

- 1- No. Contact
 (4P2C)
 (4P4C)
 (6P2C)
 (6P4C)
 (6P6C)
 (8P2C)
 (8P4C)
 (8P6C)
 (8P8C)
- 2- Contact Plating:
 ()-Gold 6U"
 (15)-Gold 15U"
 (30)-Gold 30U"
 (50)-Gold 50U"
- 3- Body Option:
 (A)-With Panel Stop (Unshielded)
 (B)-W/O Panel Stop (Unshielded)
 (C)-With Panel Stop (Shielded)
- 4- Contact Type:
 (D)-SMT Type

UNIT		SCALE	TITLE	DATE
mm			Side Entry P.C.B Jack SMT Type	DECEMBER 2009
TOLERANCE: ±0.25				APP. BY
			MATL	CHK. BY
DWG. NO.				DR. BY Felipe



PCB Layout