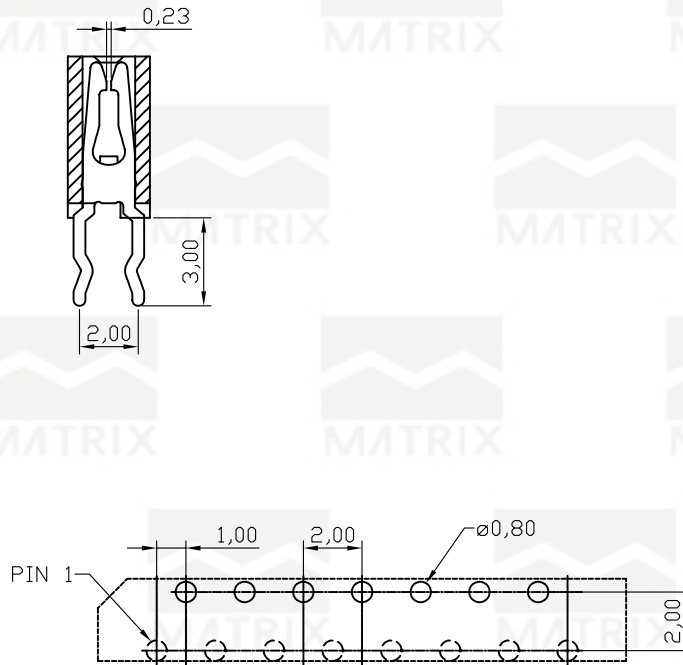
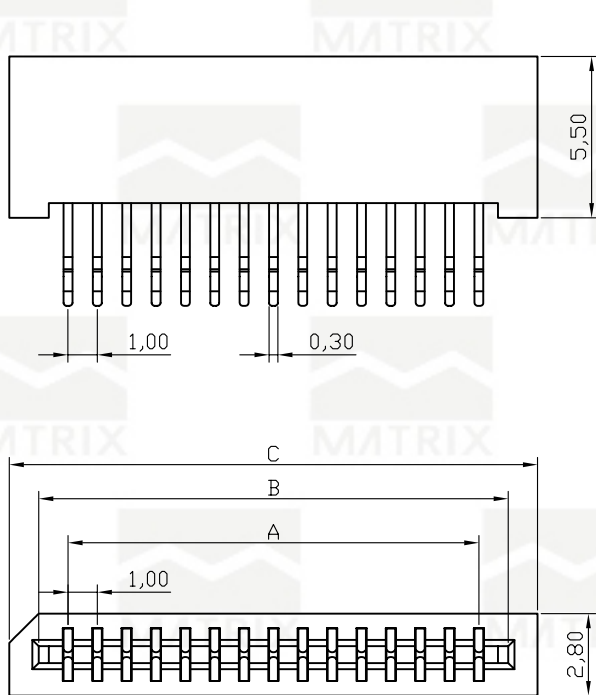
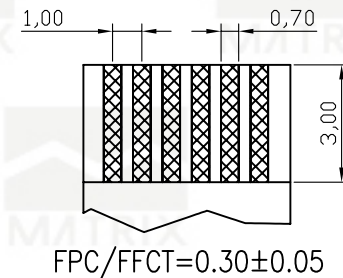


REV	ECN. NO.	APP	DATE
A	EDIÇÃO INICIAL		



ELECTRICAL
 CURRENT RATING: 0.5 AMP.
 DIELECTRIC WITHSTANDING VOLTAGE: 500 VAC MIN.
 INSULATION RESISTANCE: 1000 MEGAOHMS MIN.
 CONTACT RESISTANCE: 30 MILLIOHMS MAX.



RECOMMENDED PCB LAYOUT

HOW TO ORDER:
MX-NZIF-[]-[S]-[E]-1,00-[]
1 2 3 4

- 1- N° of Contacts:
3~32
- 2- Mounting Type:
(S)-180° Type Normal Layout
(E)-180° Type Reverse Layout
(R)-90° Type Normal Layout
(W)-90° Type Reverse Layout
- 3- Terminal Plating:
(E)-Sn
- 4- (R)-RoHS Compliant

DIMENSION TABLE

Circuits	Dimension			Circuits	Dimension		
	A	B	C		A	B	C
3	2.00	4.1	6	18	17.00	19.1	21
4	3.00	5.1	7	19	18.00	20.1	22
5	4.00	6.1	8	20	19.00	21.1	23
6	5.00	7.1	9	21	20.00	22.1	24
7	6.00	8.1	10	22	21.00	23.1	25
8	7.00	9.1	11	23	22.00	24.1	26
9	8.00	10.1	12	24	23.00	25.1	27
10	9.00	11.1	13	25	24.00	26.1	28
11	10.00	12.1	14	26	25.00	27.1	29
12	11.00	13.1	15	27	26.00	28.1	30
13	12.00	14.1	16	28	27.00	29.1	31
14	13.00	15.1	17	29	28.00	30.1	32
15	14.00	16.1	18	30	29.00	31.1	33
16	15.00	17.1	19	31	30.00	32.1	34
17	16.00	18.1	20	32	31.00	33.1	35



MATRIX TECNOLOGIA IND. E COM. LTDA.

UNIT mm	SCALE	TITLE NON-ZIF DIP 1,00mm	DATE OCTOBER 2007
TOLERANCE: ±0.25		APP. BY	
		MATL	CHK. BY
		DWG. NO.	DR. BY DINO