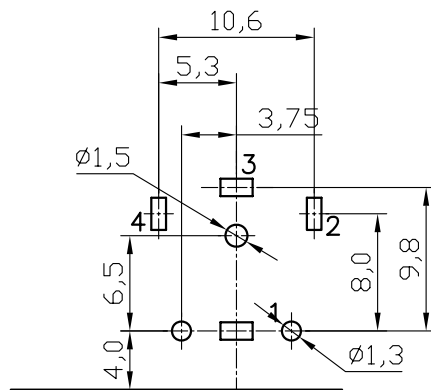
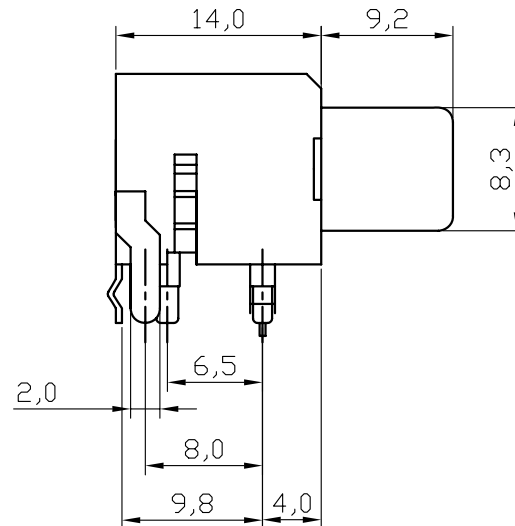
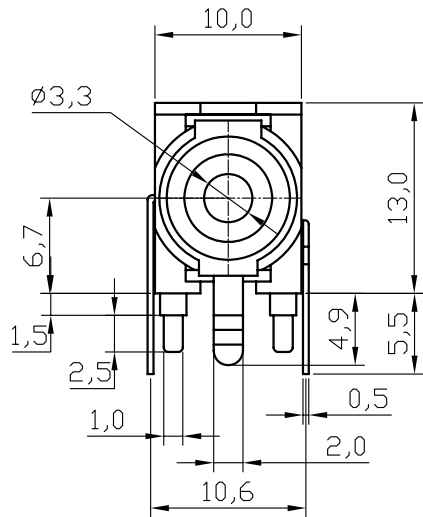


REV	ECN. NO.	APP	DATE
A	EDIÇÃO INICIAL		
B	NOVO CÓDIGO		



P.C.B. LAYOUT

Model No.	MX-RCA-R-02-XX	MX-RCA-R-03-XX	MX-RCA-R-04-XX
Schematic			

HOW TO ORDER:

RCAR[][][R]

1 2 3

- 1- N° of Contacts: 2, 3, 4
- 2- Plastic Posts: (A)-3 Posts (B)-6 Posts 3P Only (C)-2 Posts 2P Only
- 3- Insulator Color: (Y)-Yellow (R)-Red (W)-White (B)-Black



MATRIX TECNOLOGIA IND. E COM. LTDA.

UNIT mm	SCALE 2:1	TITLE RCA JACK 90°	DATE MARCH 2010
TOLERANCE: ±0.25			APP. BY
		MATL	CHK. BY
		DWG. NO.	DR. BY FELIPE