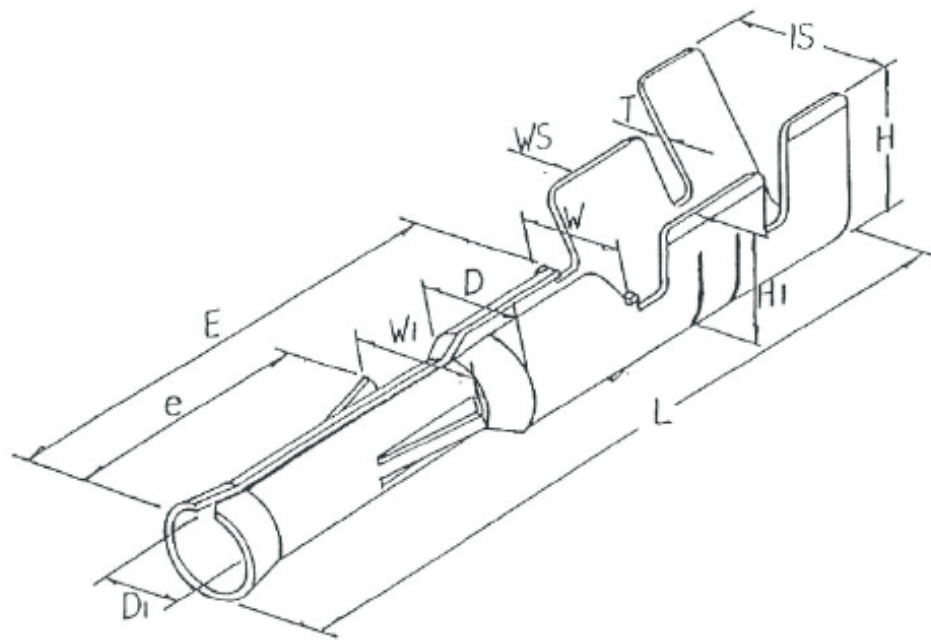


REV	ECN. NO.	APP	DATE
A	EDIÇÃO INICIAL		



SPECIFICATION

Current Rating: 8A AC, DC

Voltage Rating: 250V AC, DC

Temperature Range:

-25°C ~ +85°C

Contact Resistance: 10m Max.

Insulation Resistance:

1,000M Min.

Withstand Voltage: 1,000M Min.

HOW TO ORDER:

2020TF[][]R

1 2

1- Terminal Plating

()-Tin

(D)-Gold Flash

(C)-Selective Gold

2- Wire Option

(A)-16~18AWG

(D)-18~22AWG

(E)-18~24AWG

DIMENSION: (MM)

T:0.25±0.03	H:4.9±0.3
L:20.5±0.35	H1:3.6±0.3
E:13.3±0.25	D1:2.0±0.06
W:3.6±0.25	e:8.6±0.3
IS:5.0±0.3	D:3.2 ^{+0.1} _{-0.25}
WS:3.3±0.3	W1:4.5±0.25



MATRIX TECNOLOGIA IND. E COM. LTDA.

UNIT	SCALE	TITLE	DATE
mm		7,0mm TERMINAL FEMALE	MARCH 2010
TOLERANCE: ±0.25			APP. BY
		MATL	CHK. BY
		DWG. NO.	DR. BY FELIPE