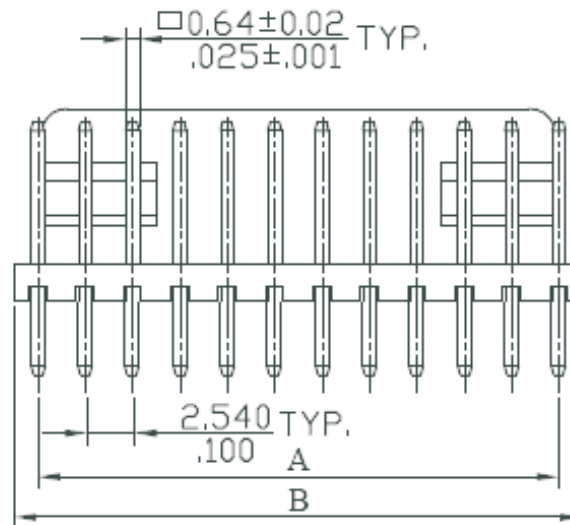
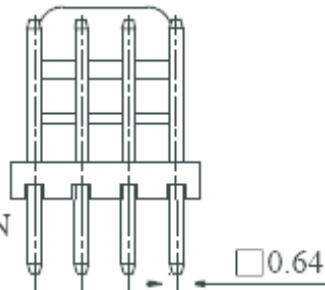
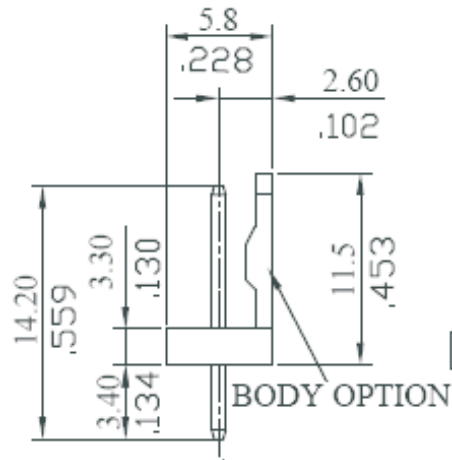


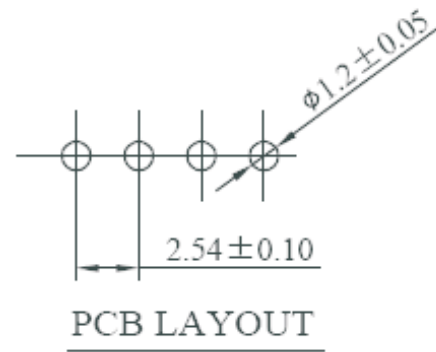
REV	ECN. NO.	APP	DATE
A	EDIÇÃO INICIAL		
B	NOVO CÓDIGO		



SPECIFICATION

Current Rating: 2A AC, DC
Voltage Rating: 250V AC, DC
Temperature Range: -25 to 85°C
Contact Resistance: 20 m ohms Max.
Insulation Resistance: 1,000M ohms Min.
Withstanding Voltage: 1,500V AC/minute.
Material: Nylon 66, UL94V-2
Pin: Brass

Poles	Dimension	
	A	B
2	2.54	5.12
3	5.08	7.66
4	7.62	10.20
5	10.16	12.74
6	12.70	15.30
7	15.24	17.94
8	17.78	20.48
9	20.32	23.02
10	22.86	25.58
11	25.40	28.12
12	27.94	30.68
13	30.48	33.10
14	33.02	35.80
15	35.56	38.34
16	38.10	40.94
17	40.64	43.30
18	43.18	45.90
19	45.72	48.56
20	48.26	50.80



HOW TO ORDER: 6002WS[]NER

1

1- Nr. of Positions
02 to 20

		MATRIX TECNOLOGIA IND. E COM. LTDA.	
UNIT mm	SCALE	TITLE 2,54mm WAFER 180°	DATE MARCH 2010
TOLERANCE: ±0.25			APP. BY
		MATL	CHK. BY
		DWG. NO.	DR. BY FELIPE