

REV	ECN. NO.	APP	DATE
A	EDIÇÃO INICIAL		
B	NOVO CÓDIGO		
C	CÓD ANT.: HF XX PR		21/11/11

SPECIFICATIONS

Current Rating: 5A AC,DC
Voltage Rating: 250V AC,DC
Temperature Range: -25°C to +85°C
Contact Resistance: 1000MΩ Min
Withstanding Voltage: 1500V AC/Minute
Material: Nylon 66, UL94V-2

HOW TO ORDER:

3000 [H] [] [F] [] [R]
1 2 3 4 5

Series Nr.
3000

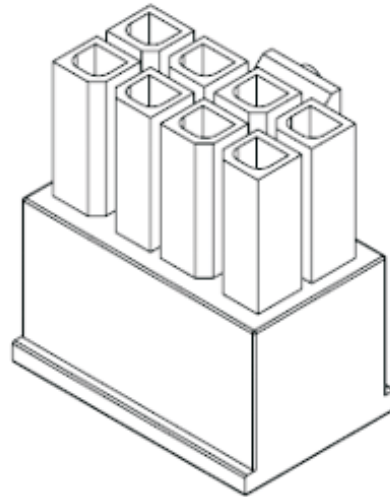
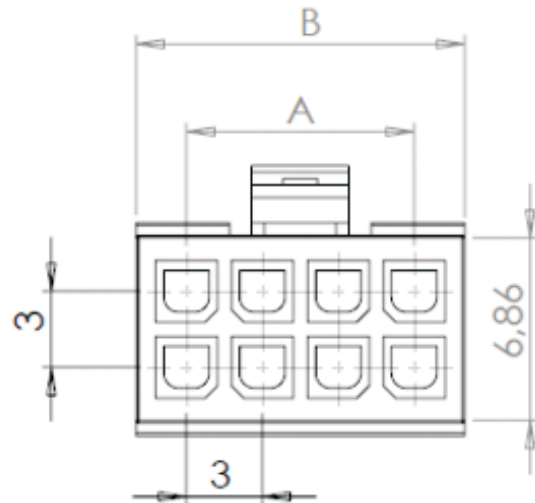
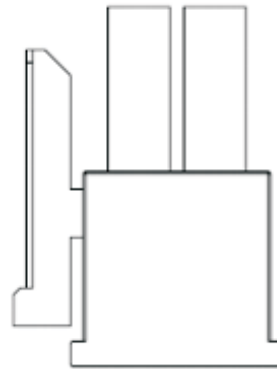
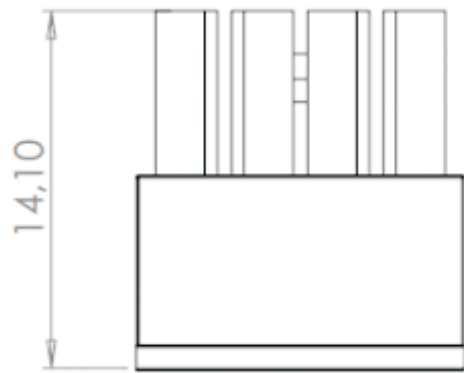
2 - Row Version:
(S) - Single Row
(D) - Double Row

4 - Nr. of ways:
Single Row: 02 to 12
Double Row: 02 to 24

1 - Product:
(H) - Housing

3 - Type:
(M) - Male
(F) - Female

5 - (R) RoHS Compliant



Circuits	A	B	Circuits	A	B	Circuits	A	B
2		4,00	10	12,00	16,00	18	24,00	28,00
4	3,00	7,00	12	15,00	19,00	20	27,00	31,00
6	6,00	10,00	14	18,00	22,00	22	30,00	34,00
8	9,00	13,00	16	21,00	25,00	24	33,00	37,00

		MATRIX Tecnologia Ind. e Com. Ltda.	
UNIT mm	SCALE	TITLE 3,00mm Housing Female	DATE November 2009
TOLERANCE: ±0.25			APP. BY
		MATL	CHK. BY
		DWG. NO.	DR. BY Felipe