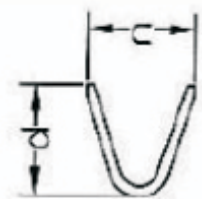
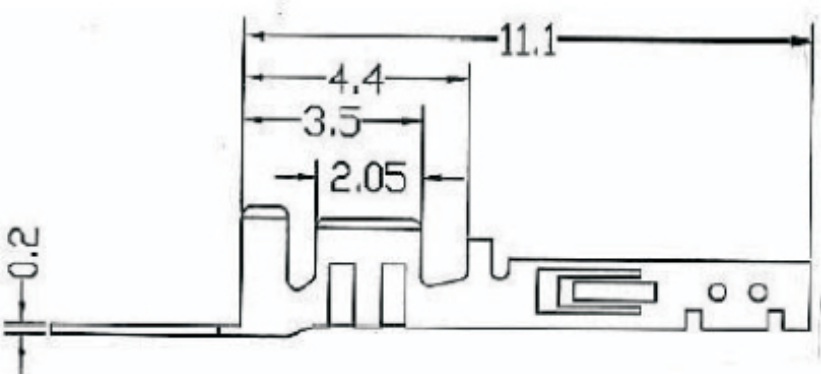


Section A-A



Section B-B

REV	ECN. NO.	APP	DATE
A	EDIÇÃO INICIAL		
B	NOVO CÓDIGO		
C	CÓD. ANT. : 3000 TF PR		21/11/11

HOW TO ORDER:

3000 [T] [F] [] [] [R]
1 2 3 4 5

Series Nr.
3000

1 - Product:
(T) - Terminal Phosphor
Bronze

2 - Type:

- (M) - Male
- (F) - Female

3 - Terminal Plating:

- (E) - Tin
- (D) - Gold Flash

4 - Wire Range:

- (I) - 22~26 AWG
- (G) - 20~24 AWG
- (A) - 26~30 AWG

5 - (R) RoHS Compliant

Dim. a	Dim. b	Dim. c	Dim. d
2.4	2.7	2.1	2.1

		MATRIX Tecnologia Ind. e Com. Ltda.		
				UNIT mm
TOLERANCE: ±0.25				APP. BY
		MATL		CHK. BY
		DWG. NO.		DR. BY Felipe