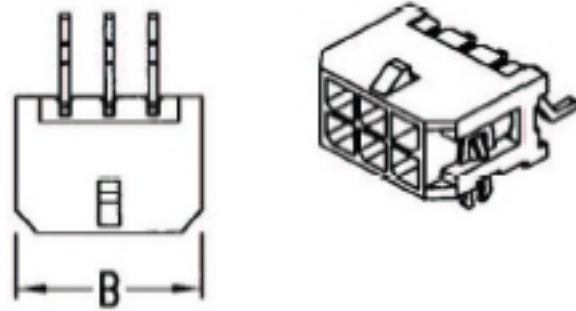
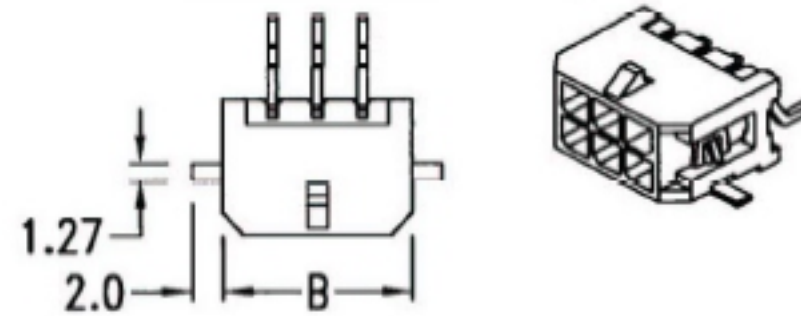


REV	ECN. NO.	APP	DATE
A	EDIÇÃO INICIAL		

Solderable Retention Clip

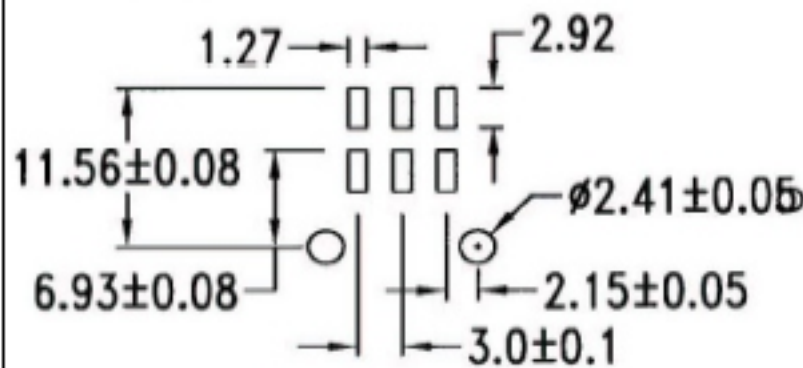
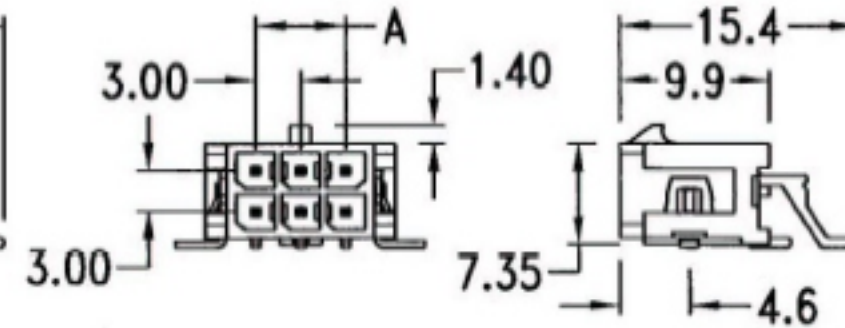
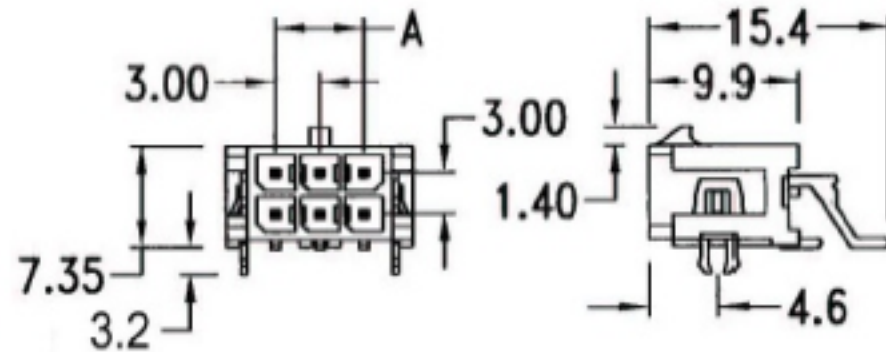


Solderable Fitting Nail

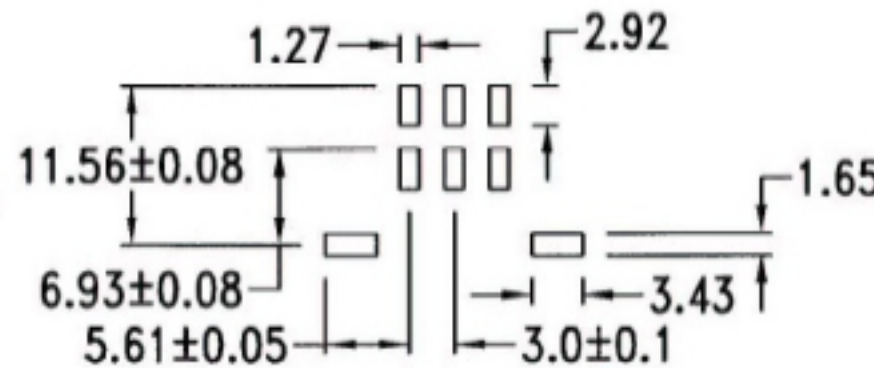


Specification:

Current rating: 5A AC, DC
Voltage rating: 250V AC, DC
Contact resistance: 10mΩ Max.
Dielectric withstanding voltage: 1500V AC/minute
Ambient temperature range: -25°C ~ 85°C



PCB Layout: Component side



PCB Layout: Component side

HOW TO ORDER:
MX-3000-W-90-[]P-SMD-[]-[]
1 2 3

- 1- N° of Contacts:
2 to 24
- 2- Function:
(R)-SMD 90° W/ Solderable Retention Clip
(F)-SMD 90° W/ Solderable Fitting Nail
- 3- (R)-RoHS Compliant

Circuits	Dim. A	Dim. B	Circuits	Dim. A	Dim. B
2		6.65	14	18.0	24.65
4	3.0	9.65	16	21.0	27.65
6	6.0	12.65	18	24.0	30.65
8	9.0	15.65	20	27.0	33.65
10	12.0	18.65	22	30.0	36.65
12	15.0	21.65	24	33.0	39.65

		MATRIX TECNOLOGIA IND. E COM. LTDA.	
UNIT mm	SCALE	TITLE 3,0mm WAFER 90° SMT	DATE SEPTEMBER 2007
TOLERANCE: ±0.25			APP. BY
		MATL	CHK. BY
		DWG. NO.	DR. BY DINO