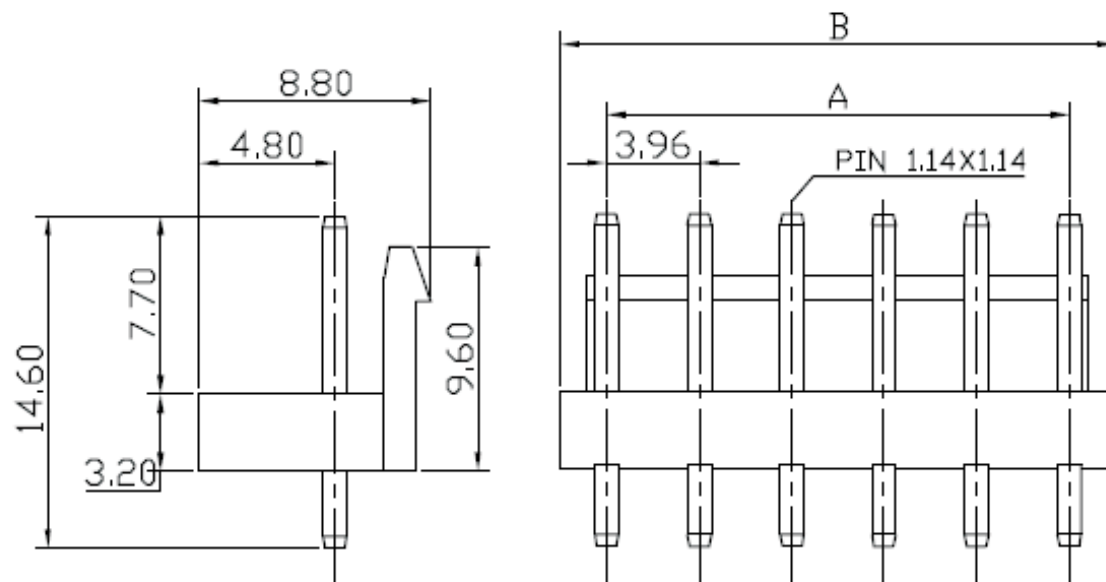


REV	ECN. NO.	APP	DATE
A	EDIÇÃO INICIAL		
B	NOVO CÓDIGO		



SPECIFICATION

Voltage Rating: 250V AC/DC

Current Rating: 5A AC/DC

Temperature Range: -25 ° C ~+85 ° C

Contact Resistance: 20 Milliohms Max.

Insulation Resistance: 1,000 Megohms Min.

Dielectric Withstanding Voltage: 1,500V AC/DC/Minute.

Material: Nylon 66, UL94V-0

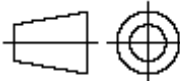
Color: White

Pin: Brass, Tin Plated

Poles	Dimension In. (mm)	
	A	B
2	3.96	7.92
3	7.92	11.92
4	11.88	15.84
5	15.84	19.84
6	19.80	23.80
7	23.76	27.88
8	27.72	31.74
9	31.68	35.86
10	35.64	39.90
11	39.60	43.84
12	43.56	47.92
13	47.52	51.72
14	51.48	55.92

HOW TO ORDER:
3966W[S][]R
1 2

1- Function
(R)- 90°
(S)-180°
2- N° of Contact
2 to 14

 MATRIX TECNOLOGIA IND. E COM. LTDA.			
UNIT	SCALE	TITLE	DATE MARCH 2010
mm		3,96mm WAFER 180°	APP. BY
TOLERANCE: ±0.25			CHK. BY
		MATL	DR. BY FELIPE
		DWG. NO.	