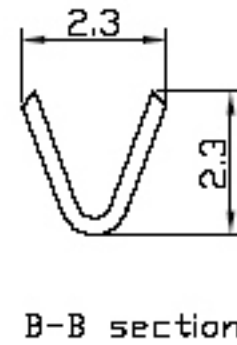
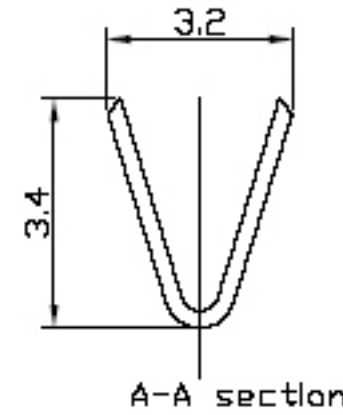
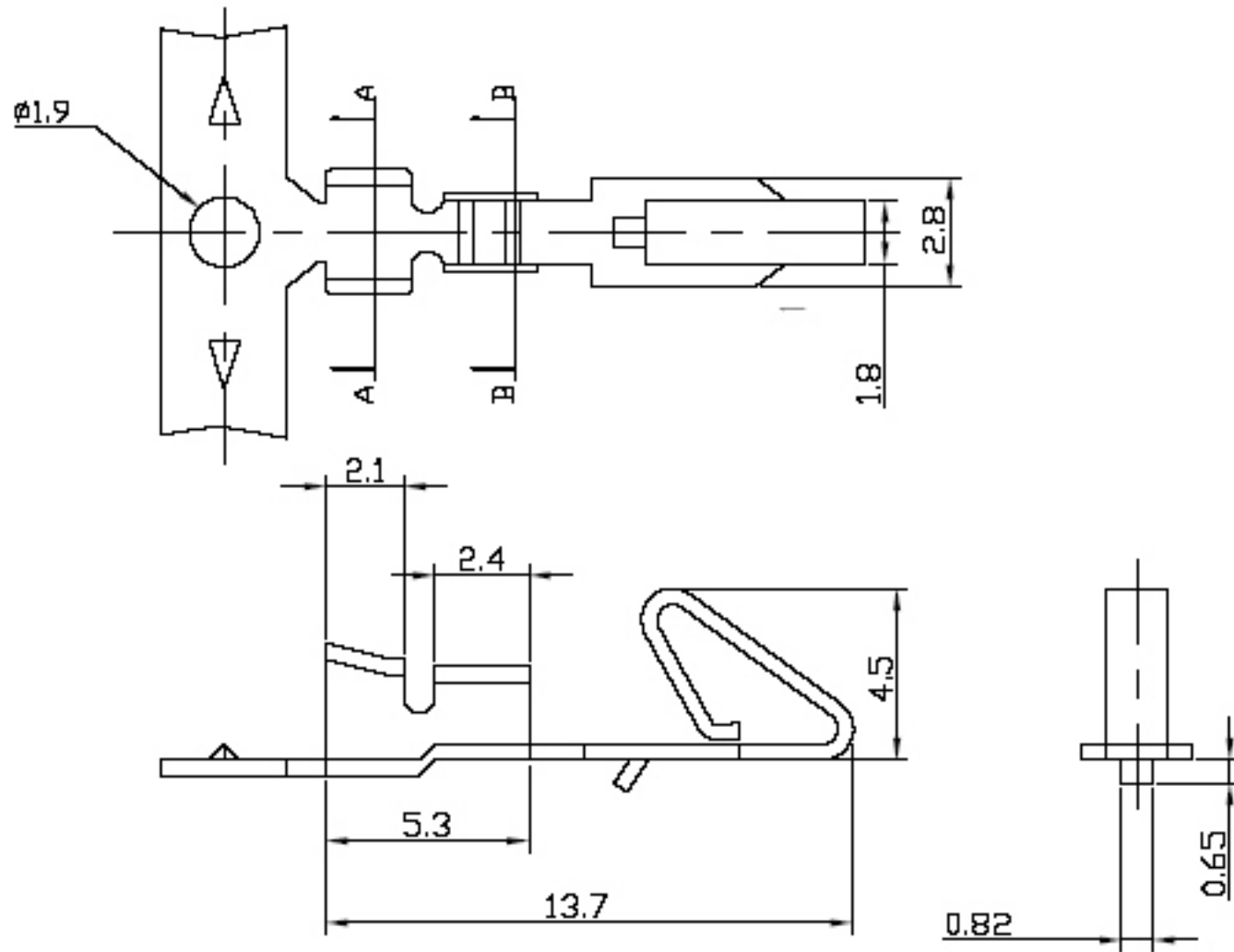


REV	ECN. NO.	APP	DATE
A	EDIÇÃO INICIAL		



SPECIFICATION

Voltage Rating: 250V AC/DC

Current Rating: 5A AC/DC

Temperature Range: -25°C $-+85^{\circ}\text{C}$

Contact Resistance: 10 Milliohms Max.


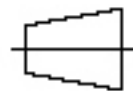

Insulation Resistance: 1,000 Megohms Min.

Dielectric Withstanding Voltage:
1,500V AC/DC/Minute.

HOW TO ORDER:
MX-3960-T-[]

1

1- (R) RoHS Compliant

 MATRIX TECNOLOGIA IND. E COM. LTDA.			
UNIT mm	SCALE	TITLE	DATE SEPTEMBER 2007
TOLERANCE: ± 0.25		3,96mm TERMINAL	APP. BY
 		MATL	CHK. BY
		DWG. NO.	DR. BY DINO