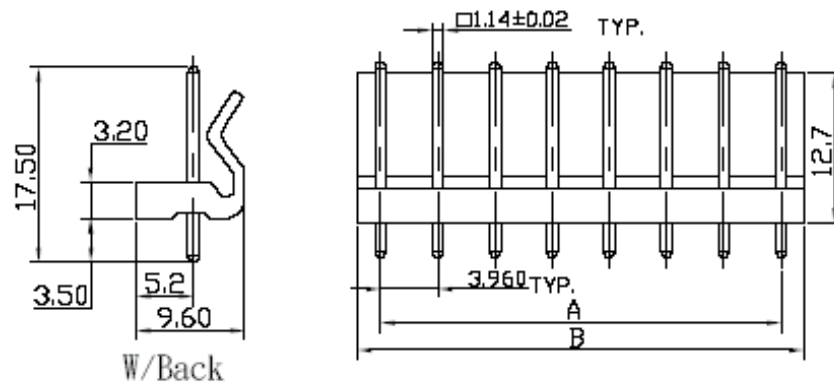
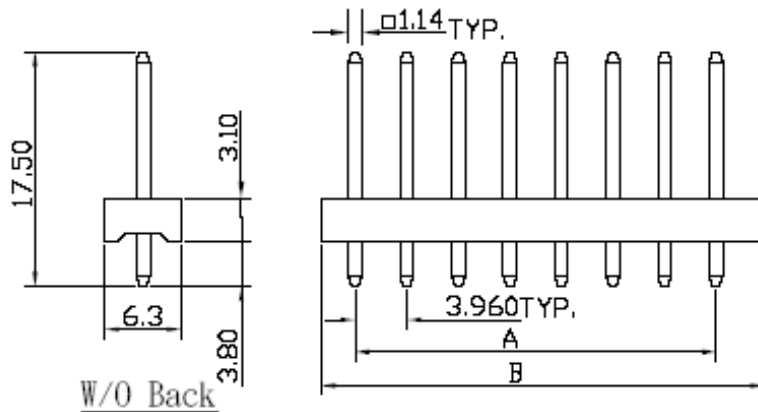


REV	ECN. NO.	APP	DATE
A	EDIÇÃO INICIAL		
B	NOVO CÓDIGO		



### SPECIFICATION

Voltage Rating: 250V AC/DC  
 Current Rating: 5A AC/DC  
 Temperature Range: -25 ° C +85 ° C  
 Contact Resistance: 10 Milliohms Max.  
 Insulation Resistance: 1,000 Megohms Min.  
 Dielectric Withstanding Voltage: 1,500V AC/DC/Minute.  
 Material: Nylon 66, UL94V-2  
 Color: White  
 Pin: Brass, Tin Plated

### HOW TO ORDER:

3960 [W] [S] [ ] [ ] [R]

#### Series Nr.

3960

#### 2 - Application:

(R) - Right Angle (90°)  
(S) - Straight (180°)

#### 4 - Body Option:

(B) - W/ Back  
(N) - W/ O Back

#### 1 - Product:


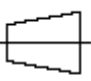

(W) - Wafer

#### 3 - Nr. of Ways:

02 to 16

#### 5 - (R) RoHS Compliant

Poles	Dimension		Poles	Dimension	
	A	B		A	B
2	3.96	8.00	11	39.60	43.90
3	7.92	12.00	12	43.56	47.80
4	11.88	15.90	13	47.52	51.80
5	15.84	20.00	14	51.48	55.70
6	19.80	24.00	15	55.44	59.80
7	23.76	27.90	16	59.40	63.80
8	27.72	31.90	17	63.36	67.70
9	31.68	35.80	18	67.32	71.70
10	35.64	39.90	19	71.28	75.60
			20	75.24	79.80

 <b>MATRIX TECNOLOGIA IND. E COM. LTDA.</b>			
UNIT mm	SCALE	TITLE	DATE MARCH 2010
TOLERANCE: ±0.25		3,96mm WAFER 180°	APP. BY
 		MATL	CHK. BY
		DWG. NO.	DR. BY FELIPE