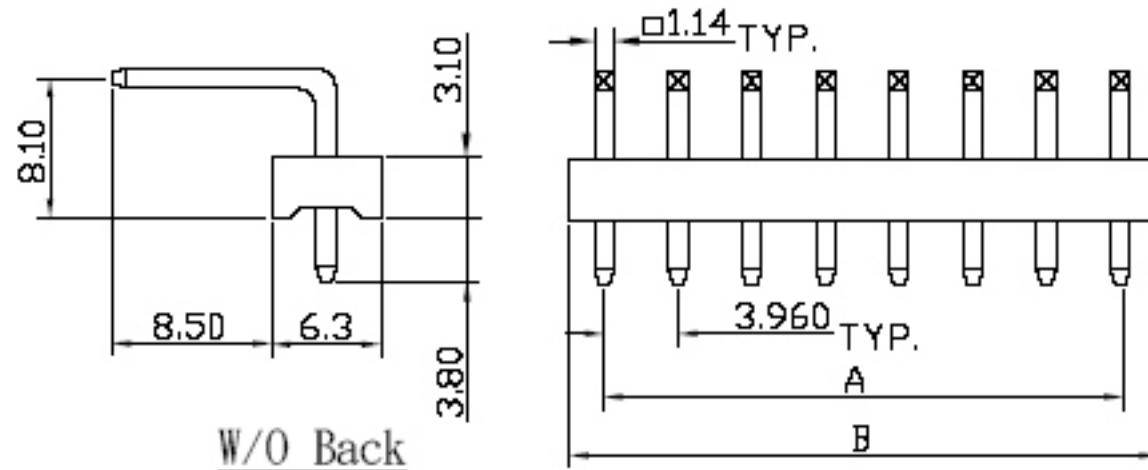
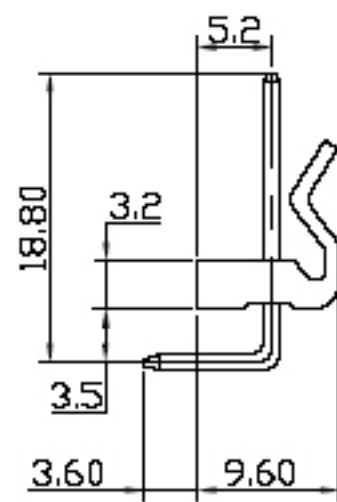


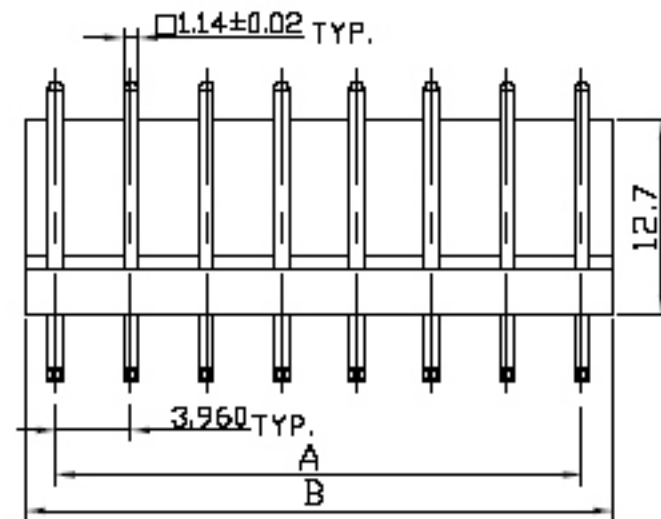
REV	ECN. NO.	APP	DATE
A	EDIÇÃO INICIAL		



W/O Back



W/Back



SPECIFICATION


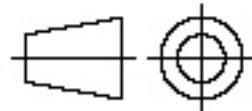
Voltage Rating: 250V AC/DC
 Current Rating: 5A AC/DC
 Temperature Range: -25 ° C ~+85 ° C
 Contact Resistance: 10 Milliohms Max.
 Insulation Resistance: 1,000 Megohms Min.
 Dielectric Withstanding Voltage: 1,500V AC/DC/Minute.
 Material: Nylon 66, UL94V-2
 Color: White
 Pin: Brass, Tin Plated

**HOW TO ORDER:
 MX-3960-W-[90]-[]P-[]-[]**

1 2 3 4

- 1- Function (90)-90° (180)-180°
- 2- N° of Contact 2 to 20
- 3- Body Option: ()-With Back (N)-Without Back
- 4- (R) RoHS Compliant

Poles	Dimension		Poles	Dimension	
	A	B		A	B
2	3.96	8.00	11	39.60	43.90
3	7.92	12.00	12	43.56	47.80
4	11.88	15.90	13	47.52	51.80
5	15.84	20.00	14	51.48	55.70
6	19.80	24.00	15	55.44	59.80
7	23.76	27.90	16	59.40	63.80
8	27.72	31.90	17	63.36	67.70
9	31.86	35.80	18	67.32	71.70
10	35.64	39.90	19	71.28	75.60
			20	75.24	79.80

 MATRIX TECNOLOGIA IND. E COM. LTDA.			
UNIT mm	SCALE	TITLE	DATE SEPTEMBER 2007
TOLERANCE: ±0.25		3,96mm WAFER 90°	APP. BY
		MATL	CHK. BY
		DWG. NO.	DR. BY DINO