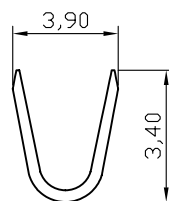
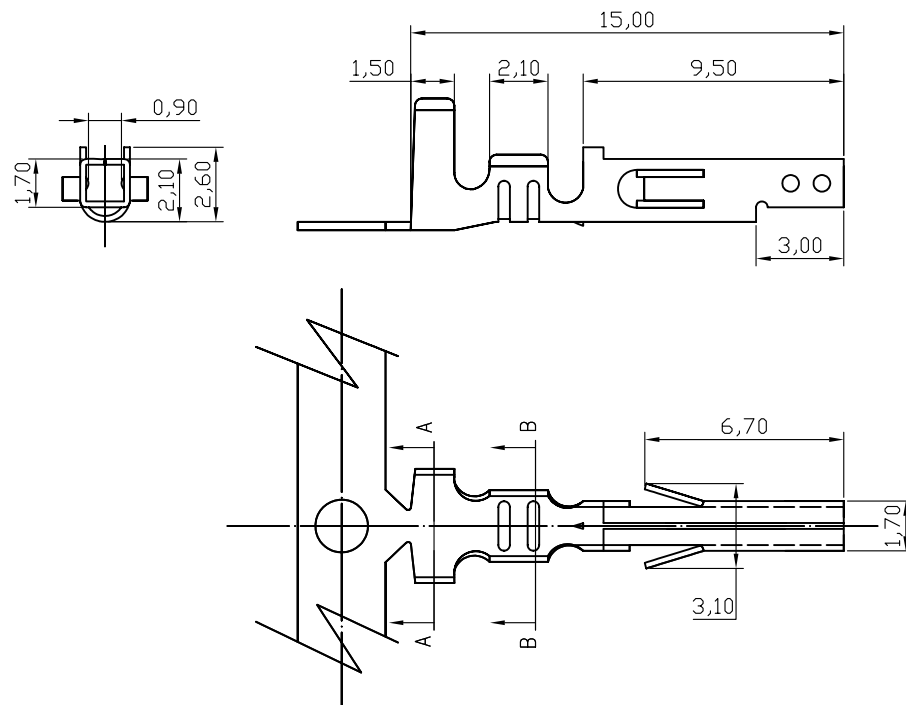
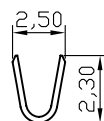


REV	ECN. NO.	APP	DATE
A	EDIÇÃO INICIAL		
B	NOVO CÓDIGO		



A-A SECTION


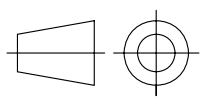


B-B SECTION

HOW TO ORDER: 4200TF[P][]R

1 2

- 1- Wire Option
(P)-18~22 AWG
(E)-18~24 AWG
- 2- Terminal Plating:
()-Tin
(D)-FLASH Gold
(C)-Selective Gold

		MATRIX TECNOLOGIA IND. E COM. LTDA.	
UNIT mm	SCALE	TITLE 4,2mm TERMINAL FEMALE	DATE MARCH 2010
TOLERANCE: ± 0.25			APP. BY
		MATL	CHK. BY
		DWG. NO.	DR. BY FELIPE