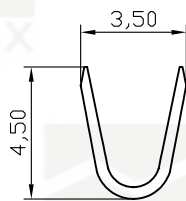
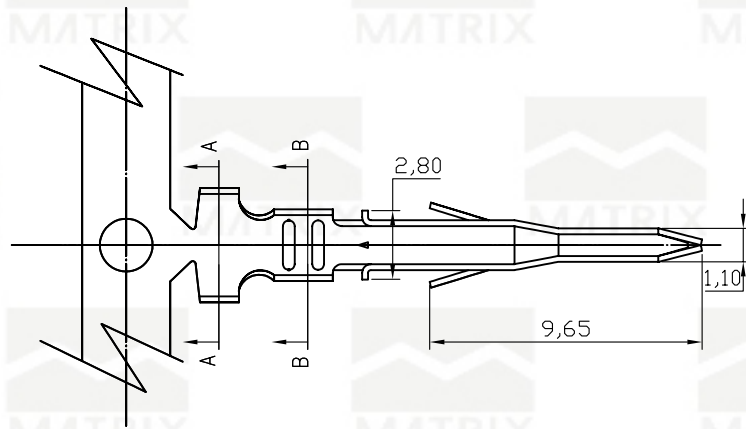
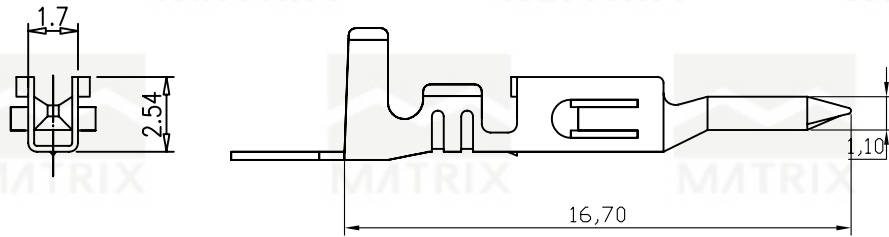
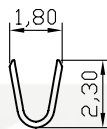


REV	ECN. NO.	APP	DATE
A	EDIÇÃO INICIAL		



A-A SECTION



B-B SECTION

**HOW TO ORDER:
MX-4200-TM[P]-[]-[]**

1 2 3

- 1- Wire Option
(P)-18~22 AWG
(E)-18~24 AWG
- 2- Terminal Plating:
()-Tin
(D)-FLASH Gold
(C)-Selective Gold
- 3- (R)RoHS Compliant



MATRIX TECNOLOGIA IND. E COM. LTDA.

UNIT mm	SCALE	TITLE 4,2mm TERMINAL MALE	DATE OCTOBER 2007
TOLERANCE: ± 0.25			APP. BY
		MATL	CHK. BY
		DWG. NO.	DR. BY DINO