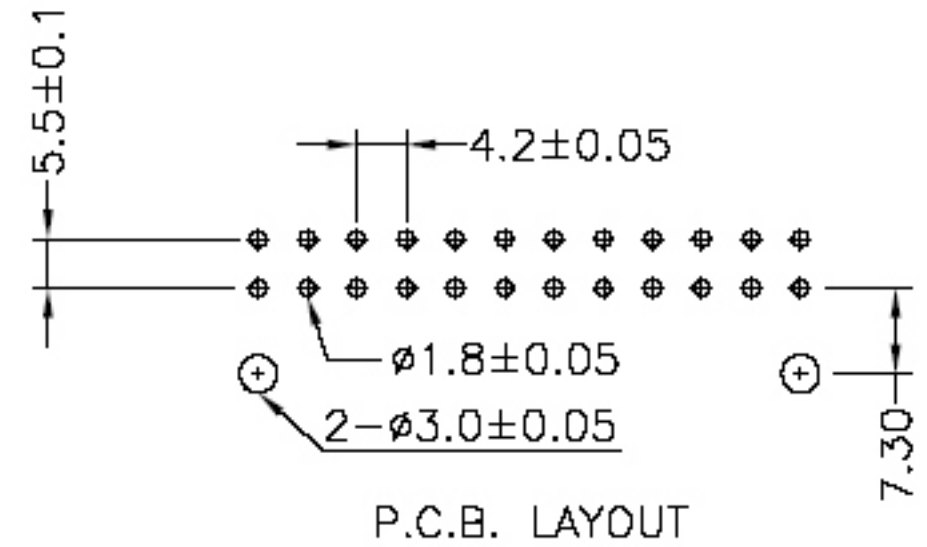
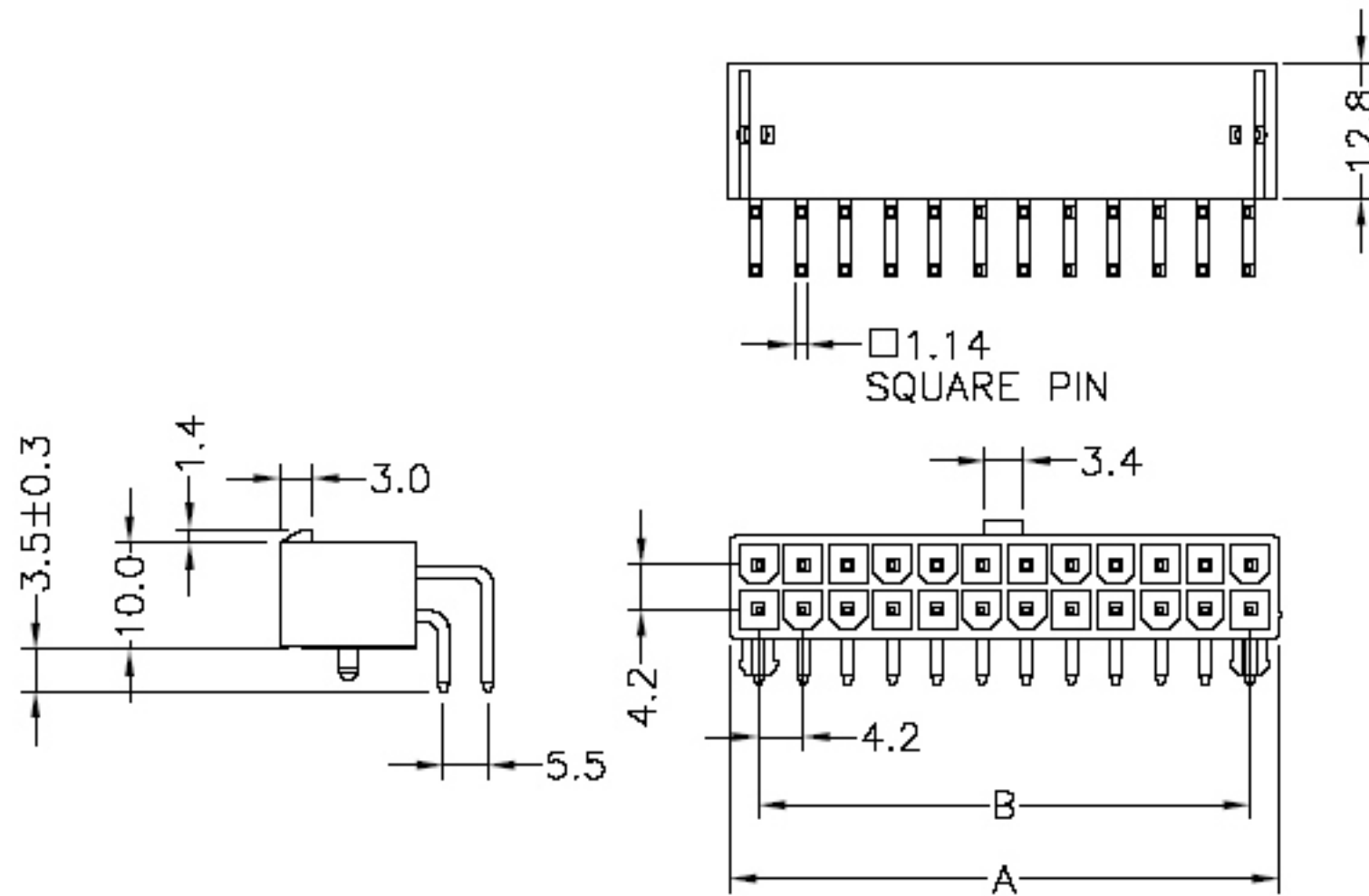


REV	ECN. NO.	APP	DATE
A	EDIÇÃO INICIAL		


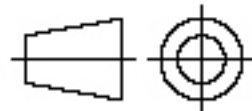


HOW TO ORDER: MX-4200-W-[90]-[P]-[]P-[]-[]

1 2 3 4 5

- | | |
|---|--|
| 1- Function
(90)-90°
(180)-180° | 3- N° of Contacts
2 to 24 |
| 2- Body Option
()-W/O Mouting Ears and Polarizing Pegs
(P)-With Polarizing Pegs
(E)-With Mounting Ears
(W)-With Mouting Ears and Polarizing Pegs | 4- Terminal Plating
()-Tin
(G)-Gold Flash
(C)-Selective Gold |
| | 5- (R) RoHS Compliant |

Circuits	Dim.B	Dim.A	Circuits	Dim.B	Dim.A	Circuits	Dim.B	Dim.A
2		5.4	10	16.8	22.2	18	33.6	39.0
4	4.2	9.6	12	21.0	26.4	20	37.8	43.2
6	8.4	13.8	14	25.2	30.6	22	42.0	47.4
8	12.6	18.0	16	29.4	34.8	24	46.2	51.6

 MATRIX TECNOLOGIA IND. E COM. LTDA.			
UNIT mm	SCALE	TITLE 4,2mm WAFER 90°	DATE SEPTEMBER 2007
TOLERANCE: ±0.25			APP. BY
		MATL	CHK. BY
		DWG. NO.	DR. BY DINO