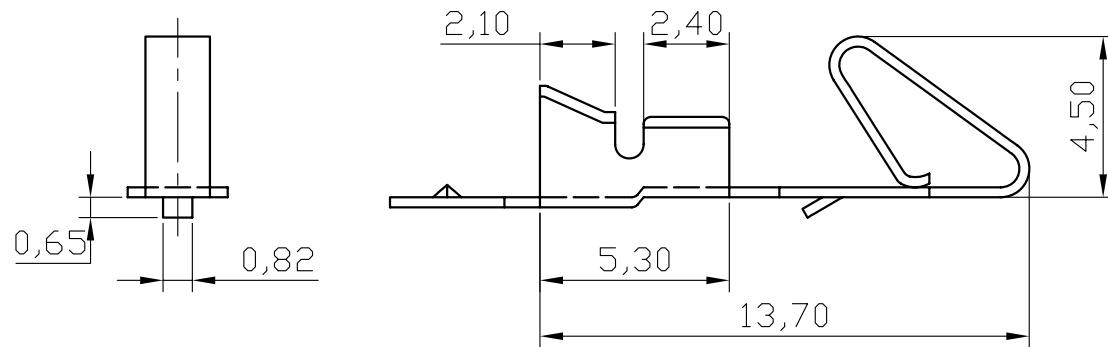
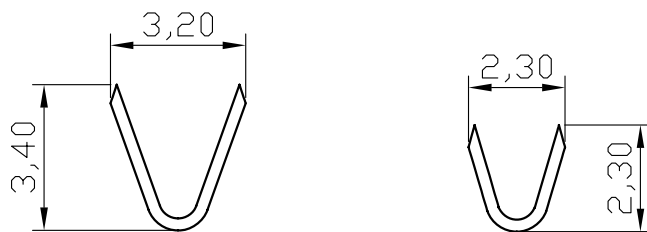
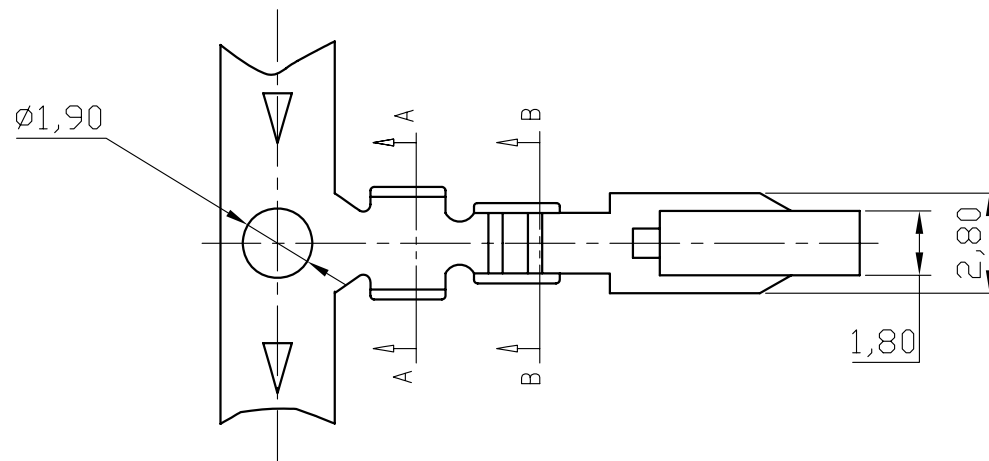


REV	ECN. NO.	APP	DATE
A	EDIÇÃO INICIAL		
B	NOVO CÓDIGO		



SPECIFICATION
Voltage Rating: 250V AC/DC
Current Rating: 5A AC/DC
Temperature Range: -25 ° C ~+85° C
Contact Resistance: 10 Milliohms Max.
Insulation Resistance: 1000 Megohms Min.
Dielectric Withstanding Voltage:
1500V AC/DC/Minute.


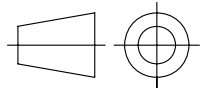


A-A SECTION

B-B SECTION

HOW TO ORDER: 5080T[][E]R 1 2

- 1- Terminal Plating
 - ()-Tin
 - (D)-Gold Flash
 - (C)-Selective Gold
- 2- Wire Option
 - (B)-18 to 22 AWG
 - (E)-18 to 24 AWG

 MATRIX TECNOLOGIA IND. E COM. LTDA.			
UNIT	mm	SCALE	DATE MARCH 2010
TOLERANCE: ±0.25		TITLE 5,08mm TERMINAL	APP. BY
			CHK. BY
		DWG. NO.	DR. BY FELIPE