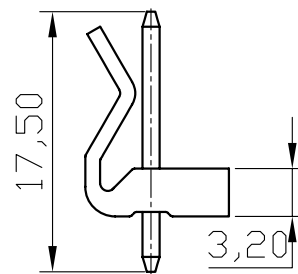
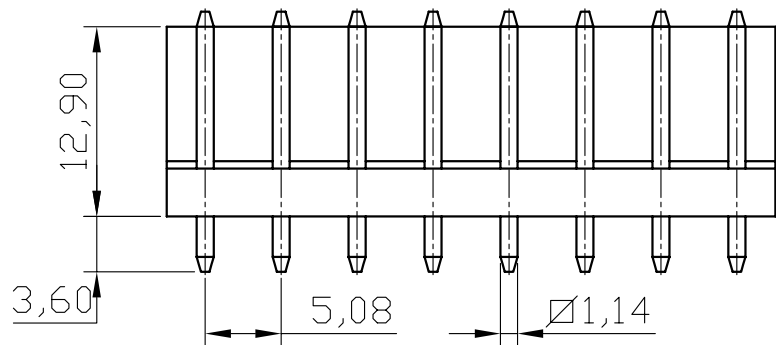
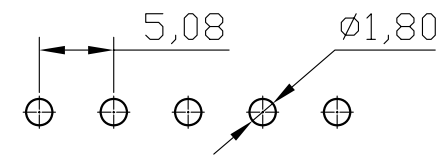
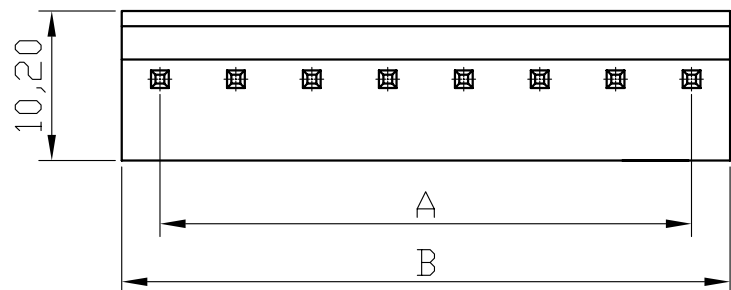


REV	ECN. NO.	APP	DATE
A	EDIÇÃO INICIAL		
B	NOVO CÓDIGO		



SPECIFICATION

Voltage Rating: 250V AC/DC
 Current Rating: 5A AC/DC
 Temperature Range: -25 ° C ~+85° C
 Contact Resistance: 10 Milliohms Max.
 Insulation Resistance: 1000 Megohms Min.
 Dielectric Withstanding Voltage: 1500V AC/DC/Minute.
 Material: Nylon 66, UL94V-2
 Color: White



PCB LAYOUT


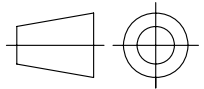
Dimension		
Poles	A	B
2	5,08	10,22
3	10,16	15,30
4	15,24	20,38
5	20,32	25,46
6	25,40	30,54
7	30,48	35,62
8	35,56	40,70
9	40,64	45,78
10	45,72	50,86

HOW TO ORDER:

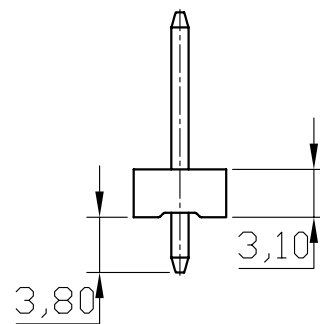
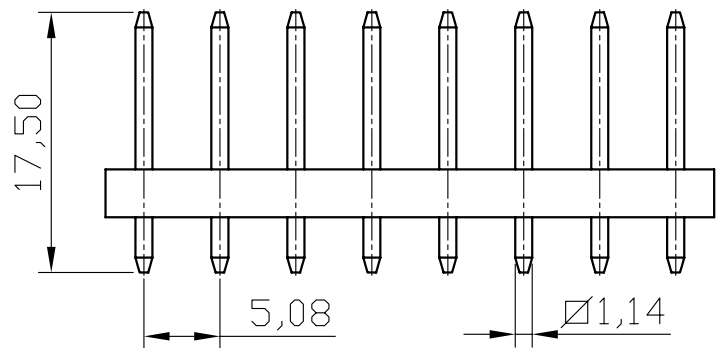
5080W[S][][]R

1 2 3

- 1- Function (R)-90° (S)-180°
- 2- N° of Contact 2 to 10
- 3- Body Option: ()-With Back (N)-Without Back

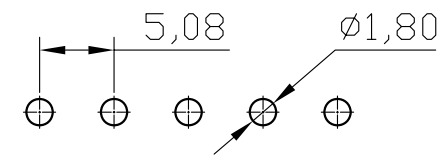
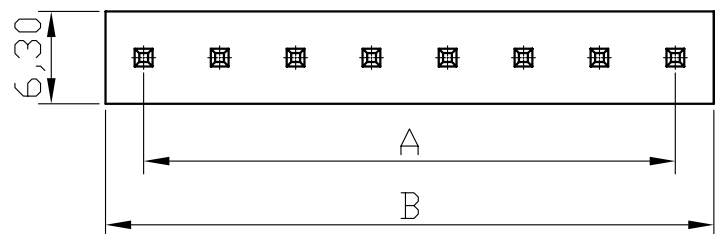
 MATRIX TECNOLOGIA IND. E COM. LTDA.			
UNIT mm	SCALE	TITLE 5,08mm WAFER 180° WITH BACK	DATE MARCH 2010
TOLERANCE: ±0.25			APP. BY
		MATL	CHK. BY
		DWG. NO.	DR. BY FELIPE

REV	ECN. NO.	APP	DATE
A	EDIÇÃO INICIAL		
B	NOVO CÓDIGO		



SPECIFICATION

Voltage Rating: 250V AC/DC
 Current Rating: 5A AC/DC
 Temperature Range: -25 ° C ~+85° C
 Contact Resistance: 10 Milliohms Max.
 Insulation Resistance: 1000 Megohms Min.
 Dielectric Withstanding Voltage: 1500V AC/DC/Minute.
 Material: Nylon 66, UL94V-2
 Color: White



PCB LAYOUT


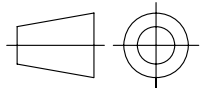
Dimension		
Poles	A	B
2	5,08	10,30
3	10,16	15,40
4	15,24	20,50
5	20,32	25,60
6	25,40	30,70
7	30,48	35,80
8	35,56	41,00
9	40,64	46,10
10	45,72	51,20

HOW TO ORDER:

5080W[S][][N]R

1 2 3

- 1- Function
 (90)-90°
 (180)-180°
- 2- N° of Contact
 2 to 10
- 3- Body Option:
 ()-With Back
 (N)-Without Back

 MATRIX TECNOLOGIA IND. E COM. LTDA.			
UNIT mm	SCALE	TITLE 5,08mm WAFER 180° WITHOUT BACK	DATE MARCH 2010
TOLERANCE: ±0.25			APP. BY
		MATL	CHK. BY
		DWG. NO.	DR. BY FELIPE