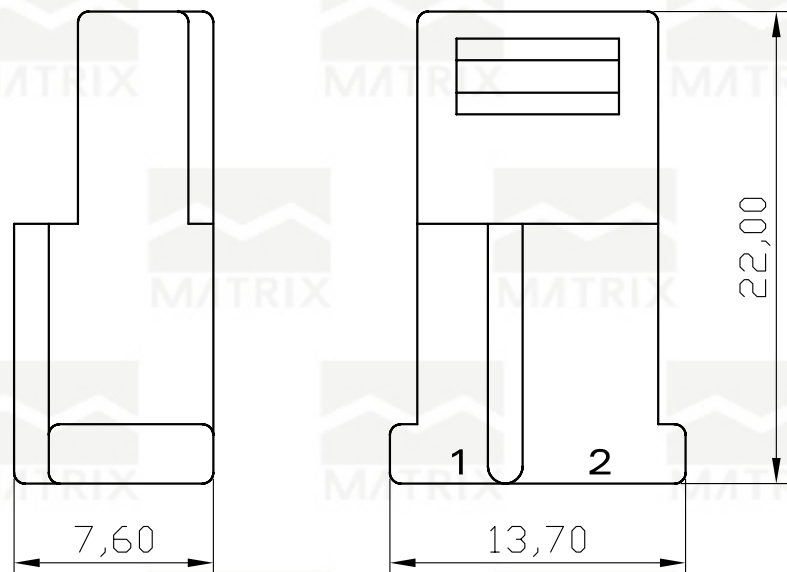
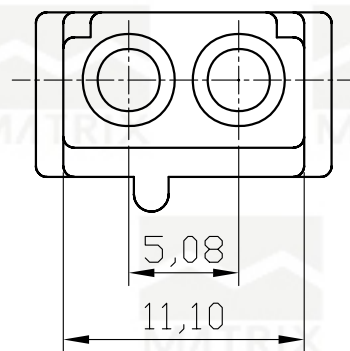


REV	ECN. NO.	APP	DATE
A	EDIÇÃO INICIAL		




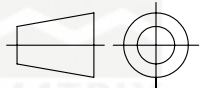
**SPECIFICATION**

Electric  
 Current Rating: 5A AC, DC  
 Voltage Rating: 250V AC, DC  
 Temperature Range: -25° C ~+85° C  
 Contact Resistance: 10m ohms max.  
 Insulation Resistance: 1,000M ohms Min.  
 Withstanding Voltage: 1,500V AC/minute.  
 Material: Nylon 66, UL94V-2  
 Color: White



**HOW TO ORDER:  
 MX-2430-H-F-[2]P-[ ]**

- 1 2**  
 1- N° of Contacts  
 2, 3, 4  
 2- (R) RoHS Compliant

		<b>MATRIX TECNOLOGIA IND. E COM. LTDA.</b>	
UNIT mm	SCALE	TITLE 5,08 HOUSING	DATE OCTOBER 2007
TOLERANCE: ±0.25			APP. BY
		MATL	CHK. BY
		DWG. NO.	DR. BY DINO

REV	ECN. NO.	APP	DATE
A	EDIÇÃO INICIAL		

**SPECIFICATION**

Electric

Current Rating: 5A AC, DC

Voltage Rating: 250V AC, DC

Temperature Range: -25° C ~+85° C

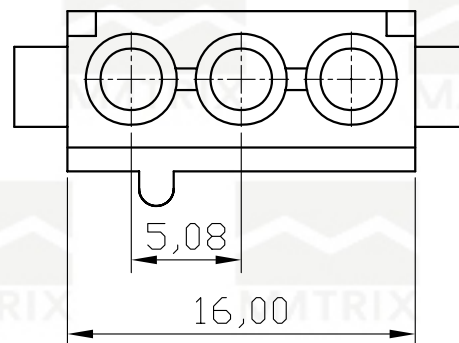
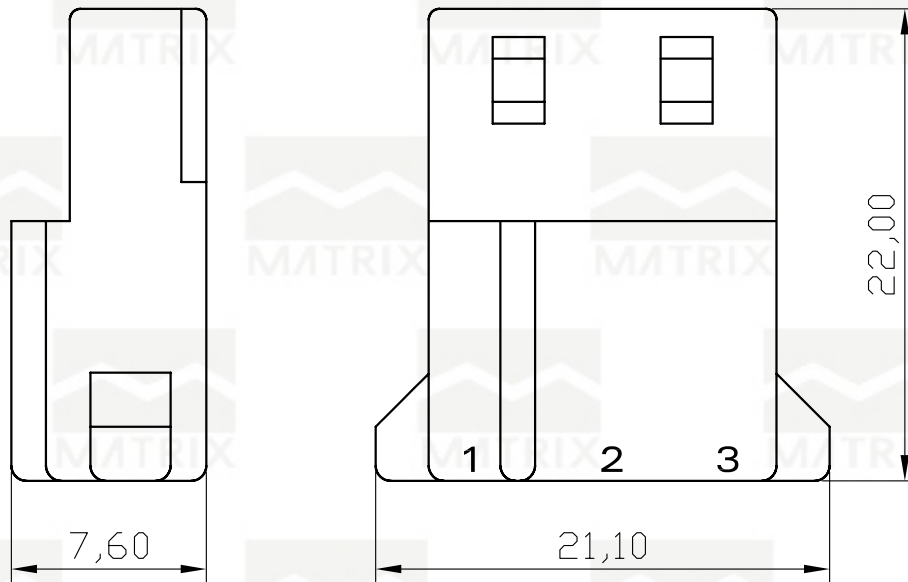
Contact Resistance: 10m ohms max.

Insulation Resistance: 1,000M ohms Min.

Withstanding Voltage: 1,500V AC/minute.

Material: Nylon 66, UL94V-2

Color: White



**HOW TO ORDER:  
MX-2430-H-F-[3]P-[ ]**

**1 2**

1- N° of Contacts

2, 3, 4

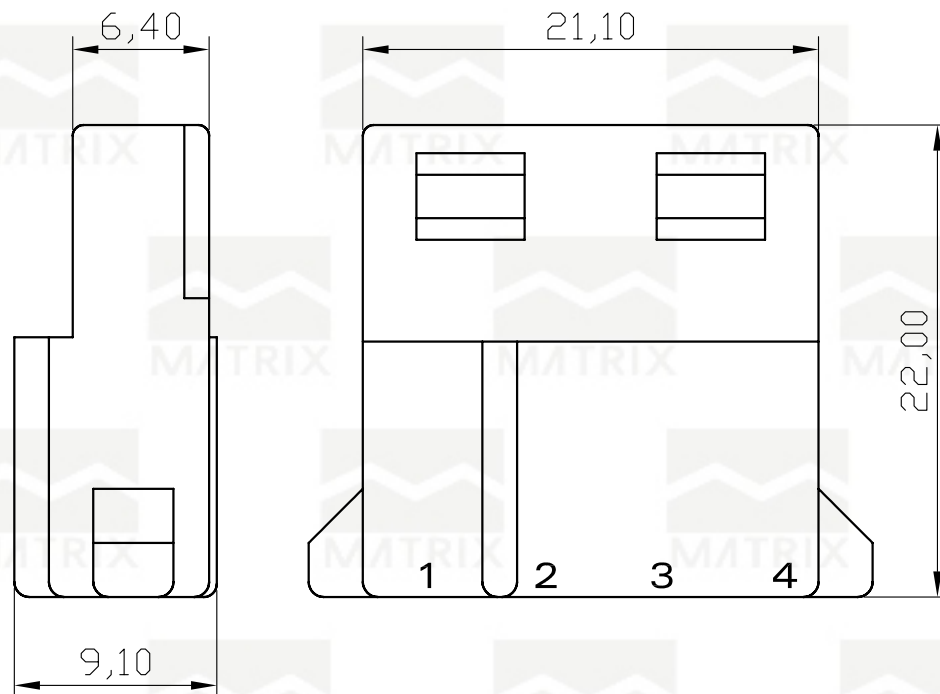
2- (R) RoHS Compliant



**MATRIX TECNOLOGIA IND. E COM. LTDA.**

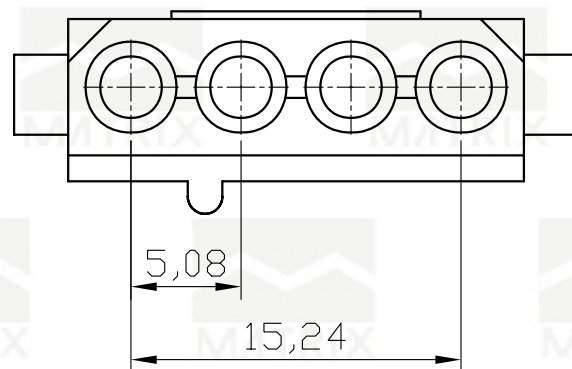
UNIT mm	SCALE	TITLE 5,08 HOUSING	DATE OCTOBER 2007
TOLERANCE: ±0.25			APP. BY
		MATL	CHK. BY
		DWG. NO.	DR. BY DINO

REV	ECN. NO.	APP	DATE
A	EDIÇÃO INICIAL		




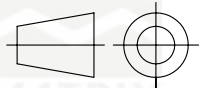
**SPECIFICATION**

Electric  
 Current Rating: 5A AC, DC  
 Voltage Rating: 250V AC, DC  
 Temperature Range: -25° C ~+85° C  
 Contact Resistance: 10m ohms max.  
 Insulation Resistance: 1,000M ohms Min.  
 Withstanding Voltage: 1,500V AC/minute.  
 Material: Nylon 66, UL94V-2  
 Color: White



**HOW TO ORDER:  
 MX-2430-H-F-[4]P-[ ]**

- 1 2**  
 1- N° of Contacts  
 2, 3, 4  
 2- (R) RoHS Compliant

		<b>MATRIX TECNOLOGIA IND. E COM. LTDA.</b>	
UNIT mm	SCALE	TITLE	DATE OCTOBER 2007
TOLERANCE: ±0.25		5,08 HOUSING	APP. BY
		MATL	CHK. BY
		DWG. NO.	DR. BY DINO