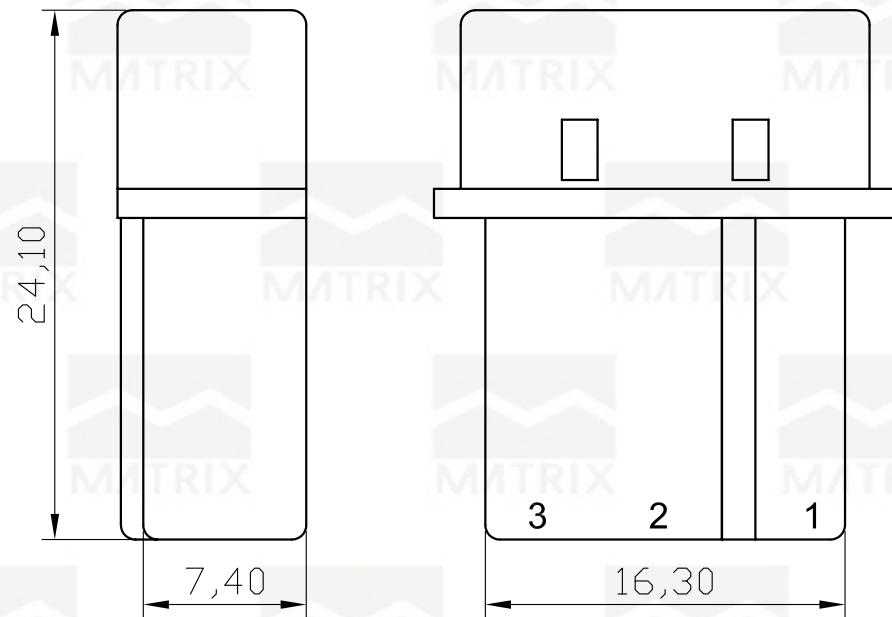
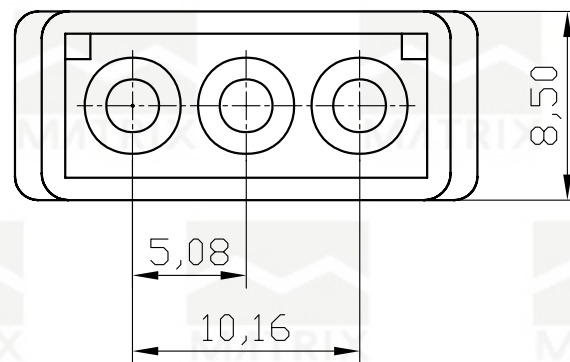


REV	ECN. NO.	APP	DATE
A	EDIÇÃO INICIAL		



SPECIFICATION

Electric
 Current Rating: 5A AC, DC
 Voltage Rating: 250V AC, DC
 Temperature Range: -25° C ~+85° C
 Contact Resistance: 10m ohms max.
 Insulation Resistance: 1000M ohms Min.
 Withstanding Voltage: 1500V AC/minute.
 Material: Nylon 66, UL94V-2
 Color: White

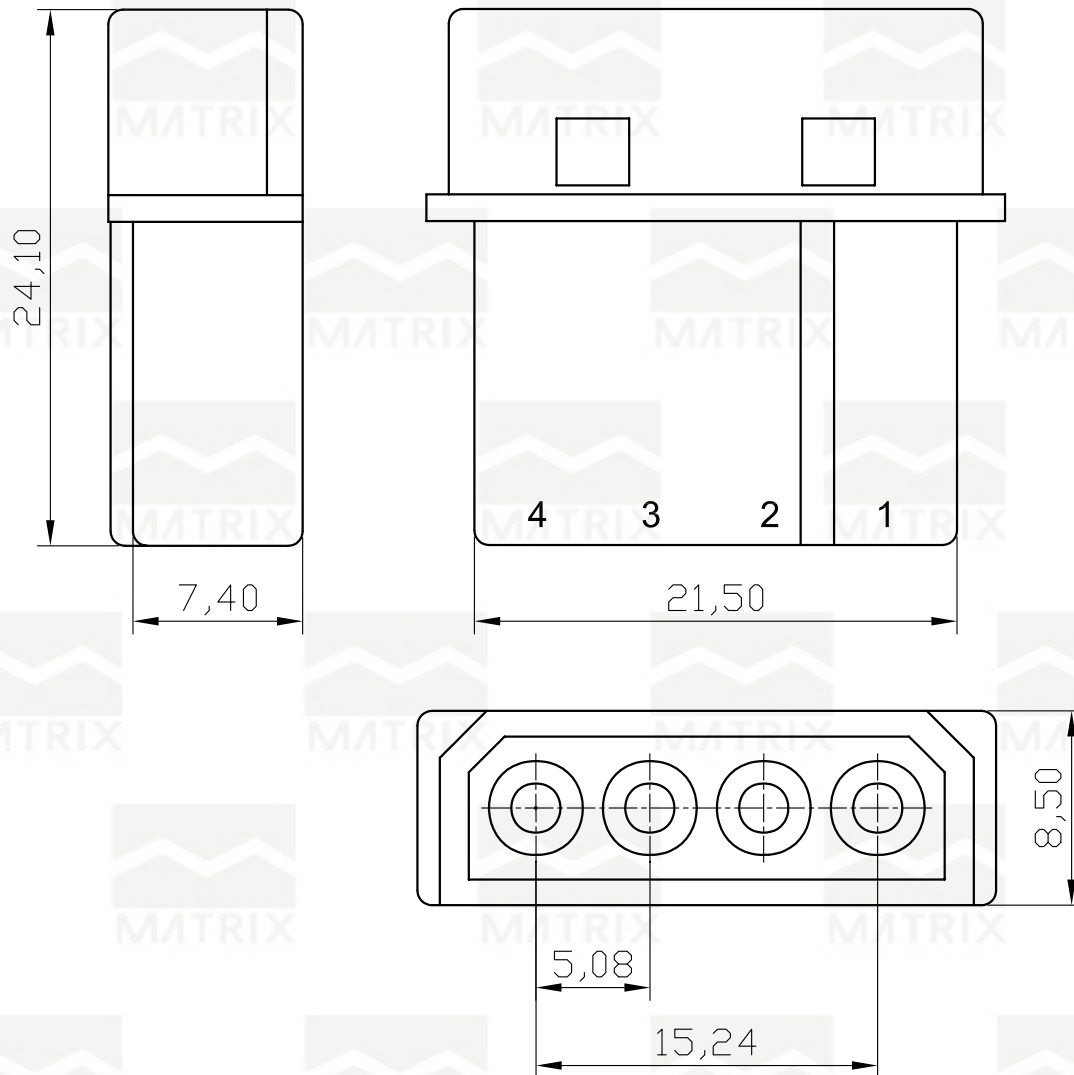


**HOW TO ORDER:
 MX-2430-H-M-[3]P-[]**

- 1 2**
 1- N° of Contacts
 2, 3, 4
 2- (R) RoHS Compliant

		MATRIX TECNOLOGIA IND. E COM. LTDA.	
UNIT mm	SCALE	TITLE 5,08 HOUSING	DATE OCTOBER 2007
TOLERANCE: ±0.25			APP. BY
		MATL	CHK. BY
		DWG. NO.	DR. BY DINO

REV	ECN. NO.	APP	DATE
A	EDIÇÃO INICIAL		


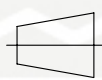



SPECIFICATION

Electric
 Current Rating: 5A AC, DC
 Voltage Rating: 250V AC, DC
 Temperature Range: -25° C ~+85° C
 Contact Resistance: 10m ohms max.
 Insulation Resistance: 1000M ohms Min.
 Withstanding Voltage: 1500V AC/minute.
 Material: Nylon 66, UL94V-2
 Color: White

**HOW TO ORDER:
 MX-2430-H-M-[4]P-[]**

- 1 2**
 1- N° of Contacts
 2, 3, 4
 2- (R) RoHS Compliant

 MATRIX TECNOLOGIA IND. E COM. LTDA.			
UNIT	mm	SCALE	TITLE
TOLERANCE: ±0.25			5,08 HOUSING
 		MATL	DATE OCTOBER 2007
DWG. NO.		CHK. BY	APP. BY
		DR. BY	DINO