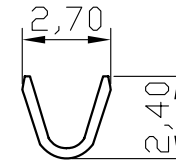
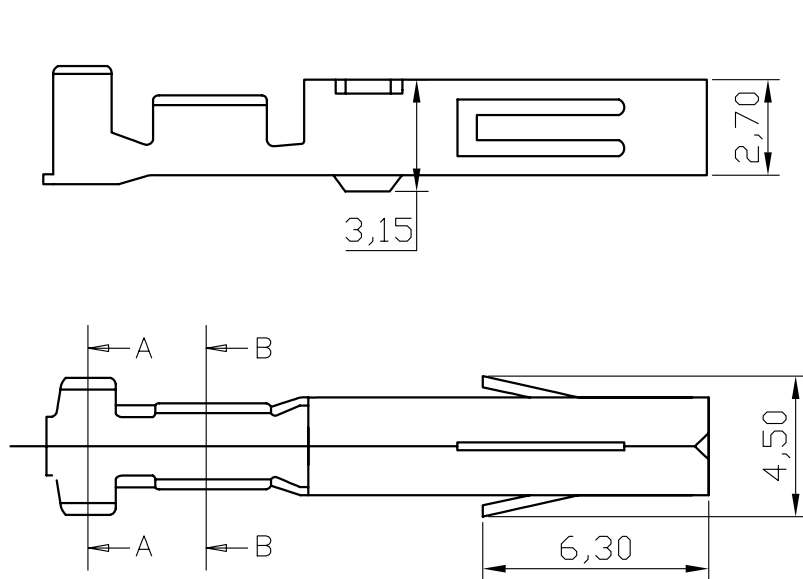
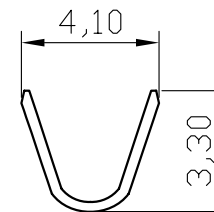


REV	ECN. NO.	APP	DATE
A	EDIÇÃO INICIAL		
B	NOVO CÓDIGO		



B-B



A-A

**HOW TO ORDER:
2430TF[]R**

1

- 1- Terminal Plating:
- ()-Tin
- (D)-FLASH Gold
- (C)-Selective Gold



MATRIX TECNOLOGIA IND. E COM. LTDA.

UNIT mm	SCALE	TITLE 5,08 TERMINAL FEMALE 18-22 AWG	DATE MARCH 2010
TOLERANCE: ± 0.25			APP. BY
		MATL	CHK. BY
		DWG. NO.	DR. BY FELIPE