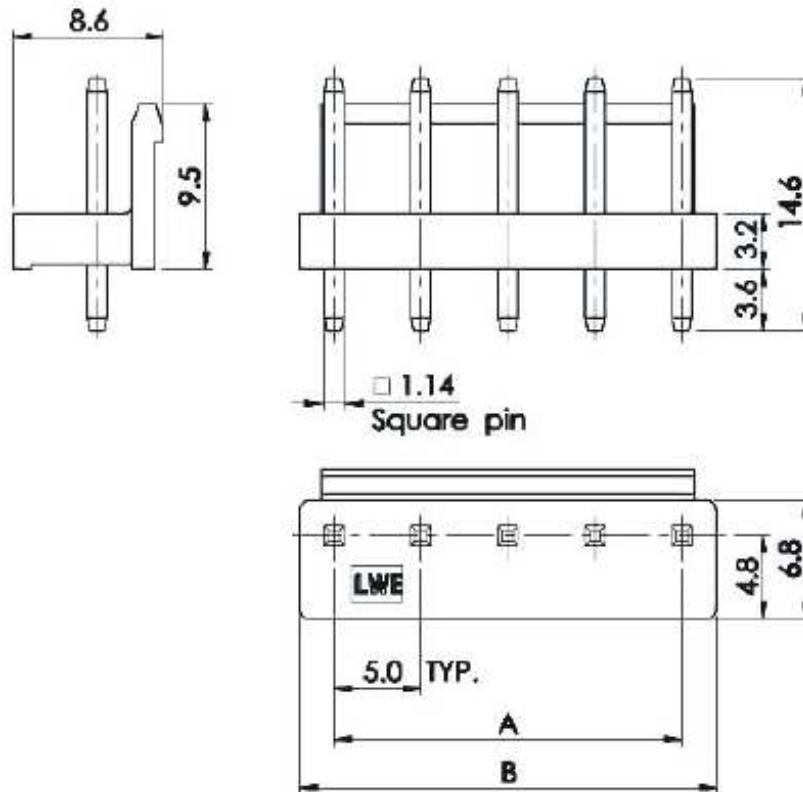


REV	ECN. NO.	APP	DATE
A	EDIÇÃO INICIAL		



SPECIFICATIONS

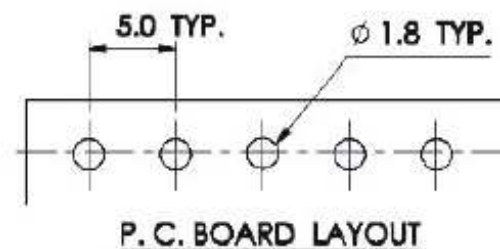
- Current Rating : 7A AC,DC (AWG 18)
- Voltage Rating : 250V AC,DC
- Withstand Voltage : 1500V AC/Minute
- Contact Resistance : 10 mΩ Max.
- Insulation Resistance : 1000 MΩ Min.
- Temperature Range : -25°C to +85°C

HOW TO ORDER: MX-5000-W-180-[]P-[]

1 2

- 1- Nr. of Positions
02 to 10
2- (R) RoHS Compliant

Circuits	Dimension	
	A	B
2	5.0	10.0
3	10.0	15.0
4	15.0	20.0
5	20.0	25.0
6	25.0	30.0
7	30.0	35.0
8	35.0	40.0
9	40.0	45.0
10	45.0	50.0



 MATRIX		MATRIX TECNOLOGIA IND. E COM. LTDA.	
TOLERANCE: ±0.25			
		MATL	CHK. BY
		DWG. NO.	DR. BY DIEGO