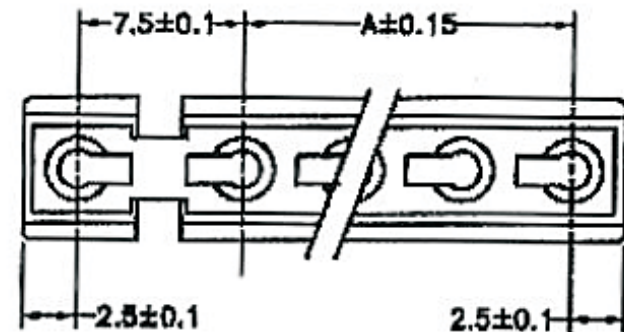
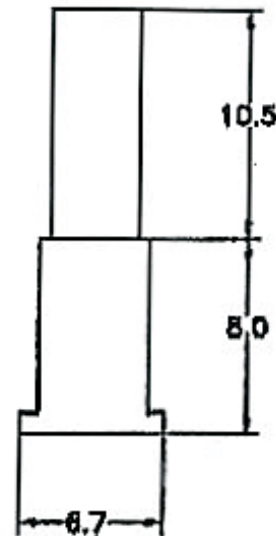
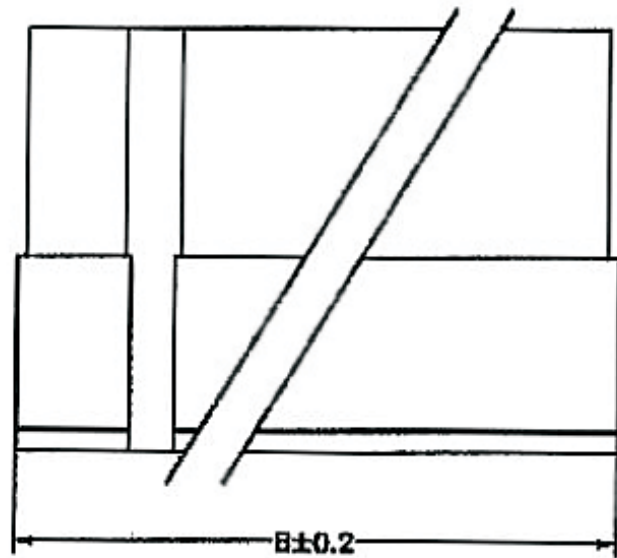


| REV | ECN. NO. | APP | DATE |
|-----|----------------|-----|------|
| A | EDIÇÃO INICIAL | | |
| B | NOVO CÓDIGO | | |
| | | | |
| | | | |



SPECIFICATIONS

Voltage rating: 250V AC, DC

Current rating: 7A, AC, DC

Withstanding Voltage: 1500V AC/minute

Insulation resistance: 1000MΩ min

Temperature range: -25°C~+85°C

Contact resistance: Initial Value/10mΩ max

After environmental testing/20mΩ max

HOW TO ORDER: 7550H[]JR

1

1- Nr. of Contacts
01 to 08

| Poles | Dimension(mm) | |
|-------|---------------|------|
| | A | B |
| 1 | - | 5.9 |
| 2 | - | 12.5 |
| 3 | 5.0 | 17.6 |
| 4 | 10.0 | 22.5 |
| 5 | 15.0 | 27.6 |
| 6 | 20.0 | 32.5 |



MATRIX TECNOLOGIA IND. E COM. LTDA.

| | | | |
|------------------|-------|----------------------------|-----------------|
| UNIT mm | SCALE | TITLE 7,5-5,0mm HOUSING | DATE MARCH 2010 |
| TOLERANCE: ±0.25 | | | APP. BY |
| | | MATL | CHK. BY |
| | | DWG. NO. | DR. BY FELIPE |