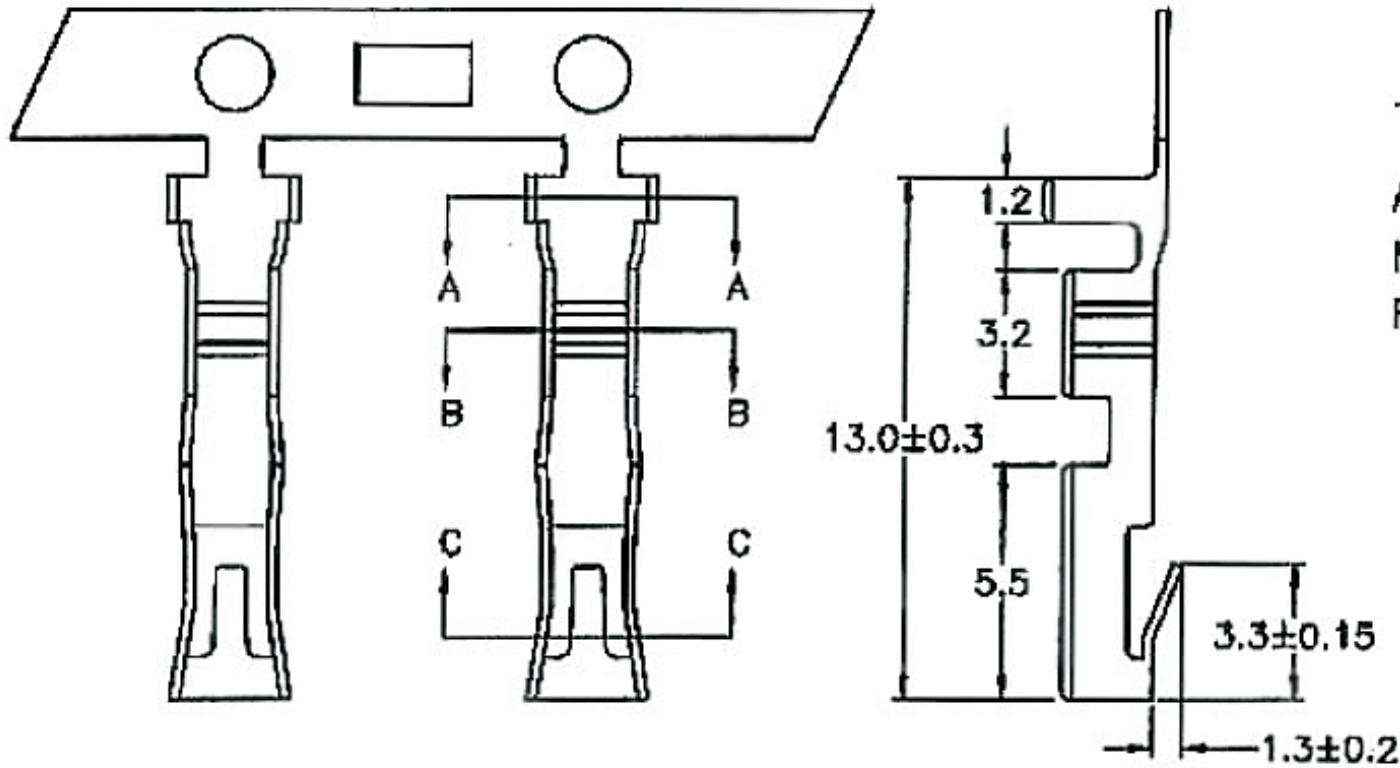


REV	ECN. NO.	APP	DATE
A	EDIÇÃO INICIAL		



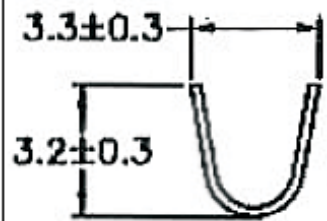
TERMINAL

Applicable wires: AWG #18~22

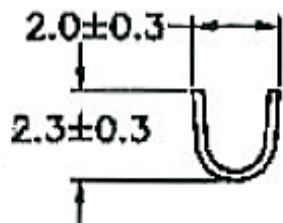
Material: Brass

Finish: Tin/plated

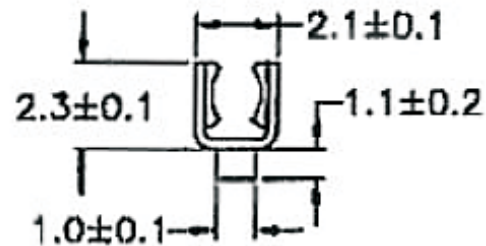
**HOW TO ORDER:
7550TR**




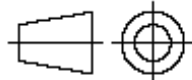
A-A SECTION



B-B SECTION



C-C SECTION

 MATRIX MATRIX TECNOLOGIA IND. E COM. LTDA.			
UNIT	SCALE	TITLE	DATE
mm		7,5-5,0mm TERMINAL 18 to 22 AWG	MARCH 2010
TOLERANCE: ± 0.25			APP. BY
		MATL	CHK. BY
		DWG. NO.	DR. BY FELIPE