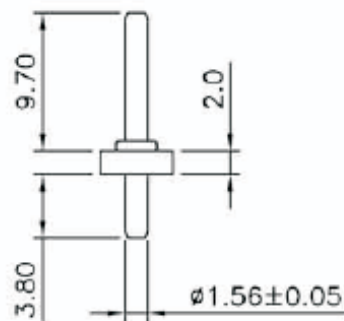
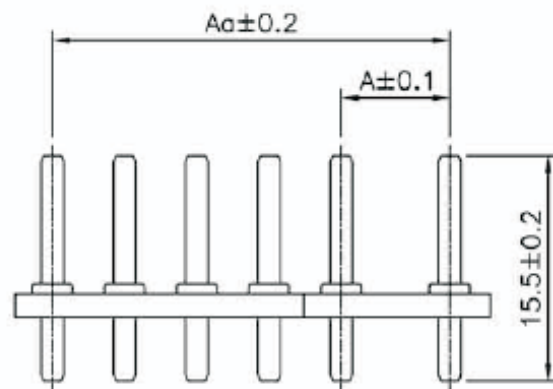


REV	ECN. NO.	APP	DATE
A	EDIÇÃO INICIAL		
B	NOVO CÓDIGO		

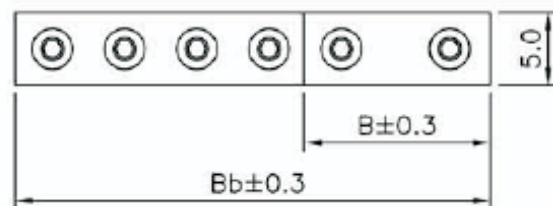


SPECIFICATIONS

Voltage Rating : 250 V AC/DC
 Current Rating : 5A AC/DC
 Withstanding Voltage : 1,500V AC/minute
 Insulation Resistance : 1,000M Ω min
 Temperature Range : - 25°C to + 85°C
 Contact Resistance : 20m Ω max

WAFER

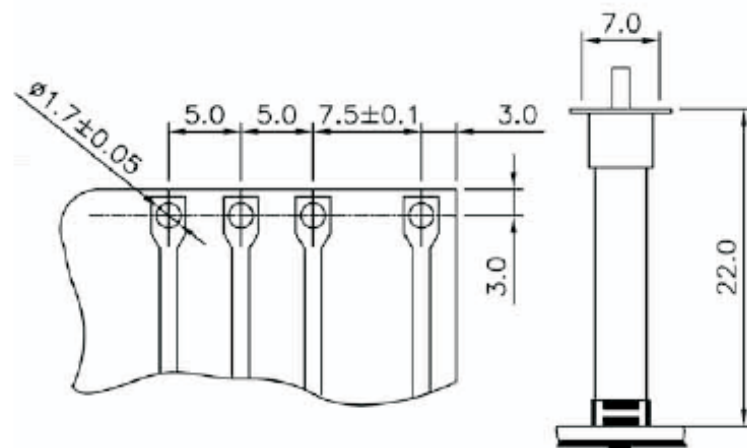
Poles : 1 - 6
 Material : Contact : Brass, Tin Plated
 Base : Nylon 66 UL94V-0, Phenolic Bakelite




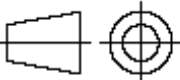
Poles	Dimensions (mm)			
	A	Aa	B	Bb
1	-----	-----	5.50	-----
2	7.50	-----	13.10	-----
3	-----	12.50	-----	18.10
4	-----	17.50	-----	23.10
5	-----	22.50	-----	28.10
6	-----	27.50	-----	33.10

HOW TO ORDER:
7550WS[]R
1

1- Nr. of Contacts
 01 to 06



Recomand PCB Layout And Assembly Layout

 MATRIX TECNOLOGIA IND. E COM. LTDA.			
UNIT mm	SCALE	TITLE 7,5-5,0mm WAFER 180°	DATE MARCH 2010
TOLERANCE: ±0.25			APP. BY
		MATL	CHK. BY
DWG. NO.			DR. BY FELIPE