

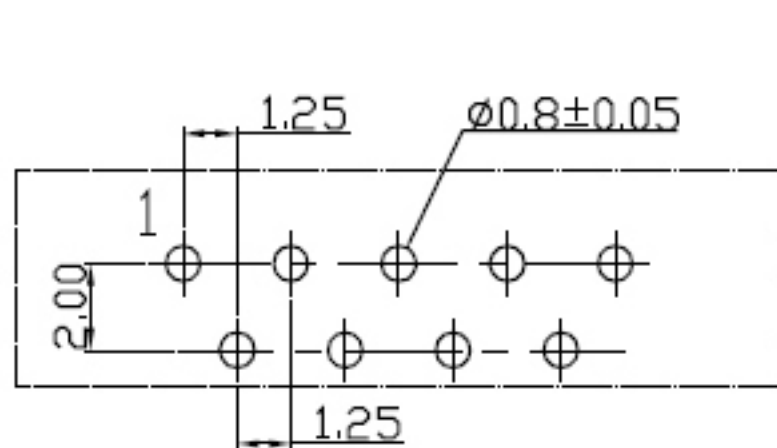
CKT	A	B
3	9.55	5.20
4	10.80	6.45
5	12.05	7.70
6	13.30	8.95
7	14.55	10.20
8	15.80	11.45
9	17.05	12.70
10	18.30	13.95
11	19.55	15.20
12	20.80	16.45
13	22.05	17.70
14	23.30	18.95
15	24.55	20.20
16	25.80	21.45
17	27.05	22.70
18	28.30	23.95
19	29.55	25.20
20	30.80	26.45
21	32.05	27.70
22	33.30	28.95
23	34.55	30.20
24	35.80	31.45
25	37.05	32.70
26	38.30	33.95
27	39.55	35.20
28	40.80	36.45
29	42.05	37.70
30	43.30	38.95
31	44.55	40.20
32	45.80	41.45

REV	ECN. NO.	APP	DATE
A	EDIÇÃO INICIAL		

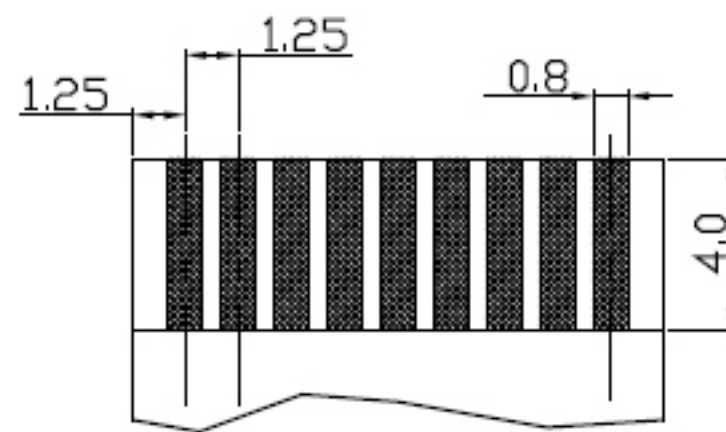
HOW TO ORDER: MX-ZIF-[]-[S]-[E]-[B]-1,25-[]

1 2 3 4 5


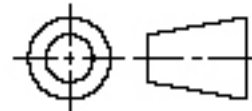
- 1- N° of Ways:
See Table
- 2-Mounting Type:
(S)-180° Type Normal Layout
(E)-180° Type Reverse Layout
(R)-90°
- 3- Terminal Plating:
(E)-Sn
- 4- Thickness:
(A)-0,3mm
(B)-0,2mm
(C)-0,1mm
- 5- (R) RoHS Compliant



RECOMMEND PCB LAYOUT
COMPONENT SIDE



FFC/FPC DIMENSION
THICKNESS 0.2±0.05mm

 MATRIX TECNOLOGIA IND. E COM. LTDA.			
UNIT mm	SCALE	TITLE	DATE SEPTEMBER 2007
TOLERANCE: ±0.25		ZIF DIP FFC/FPC 1,25mm	APP. BY
		MATL	CHK. BY
		DWG. NO.	DR. BY DINO