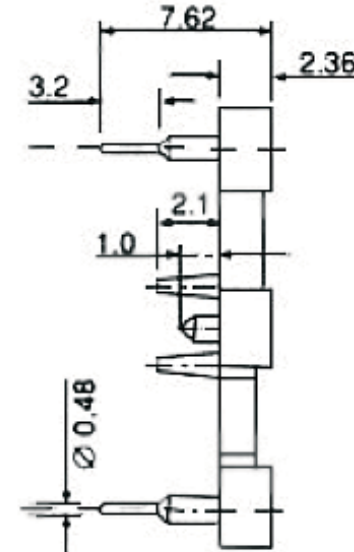
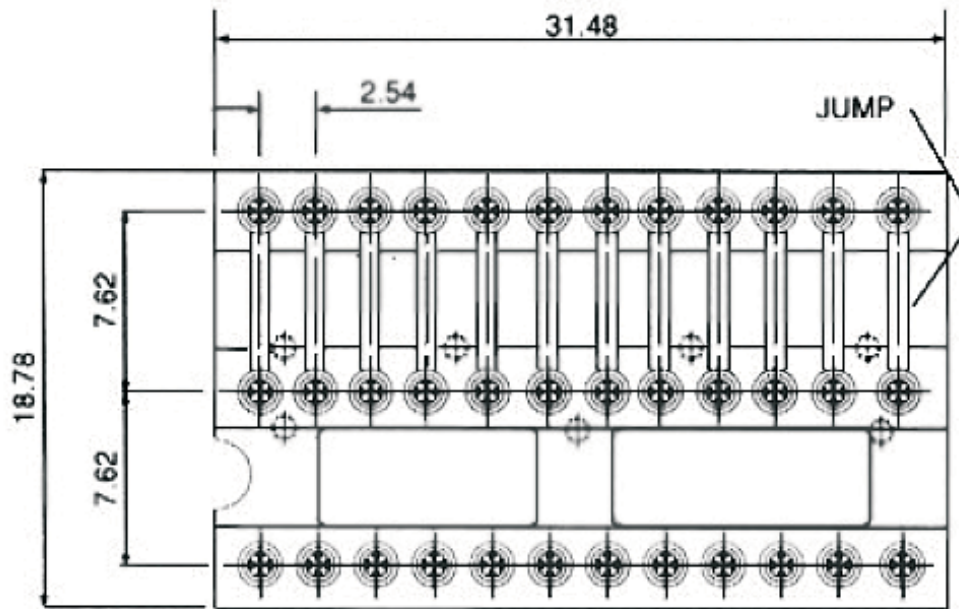
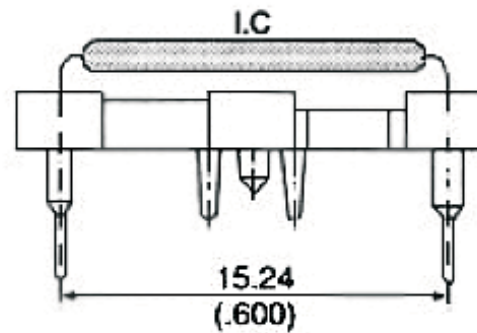
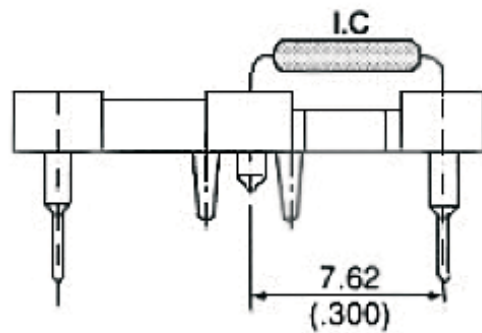


REV	ECN. NO.	APP	DATE
A	EDIÇÃO INICIAL		
B	NOVO CÓDIGO		



HOW TO ORDER:
ACI36[] [E]P[]R
1 2 3

- | | |
|-------------------|-------------------|
| 1- Clip Plating | 3- Bridge Plating |
| (E)- Sn | (E)- Sn |
| (D)- Flash Au | (D)- Flash Au |
| (F)- 0,36µm Au | (F)- 0,36µm Au |
| (G)- 0,76µm Au | (G)- 0,76µm Au |
| 2- Sleeve Plating | |
| (E)- Sn | |
| (D)- Flash Au | |
| (F)- 0,36µm Au | |
| (G)- 0,76µm Au | |



MATRIX Tecnologia Ind. e Com. Ltda.

UNIT	SCALE	TITLE	DATE
mm		Dip Adaptor Screw Machined Pins with 4 contact clips	JANUARY 2010
TOLERANCE: ±0.25			APP. BY
		MATL	CHK. BY
		DWG. NO.	DR. BY Felipe