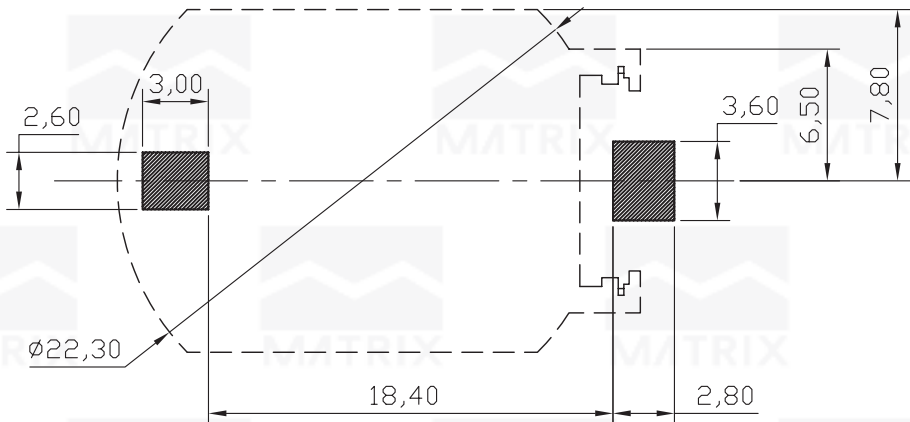
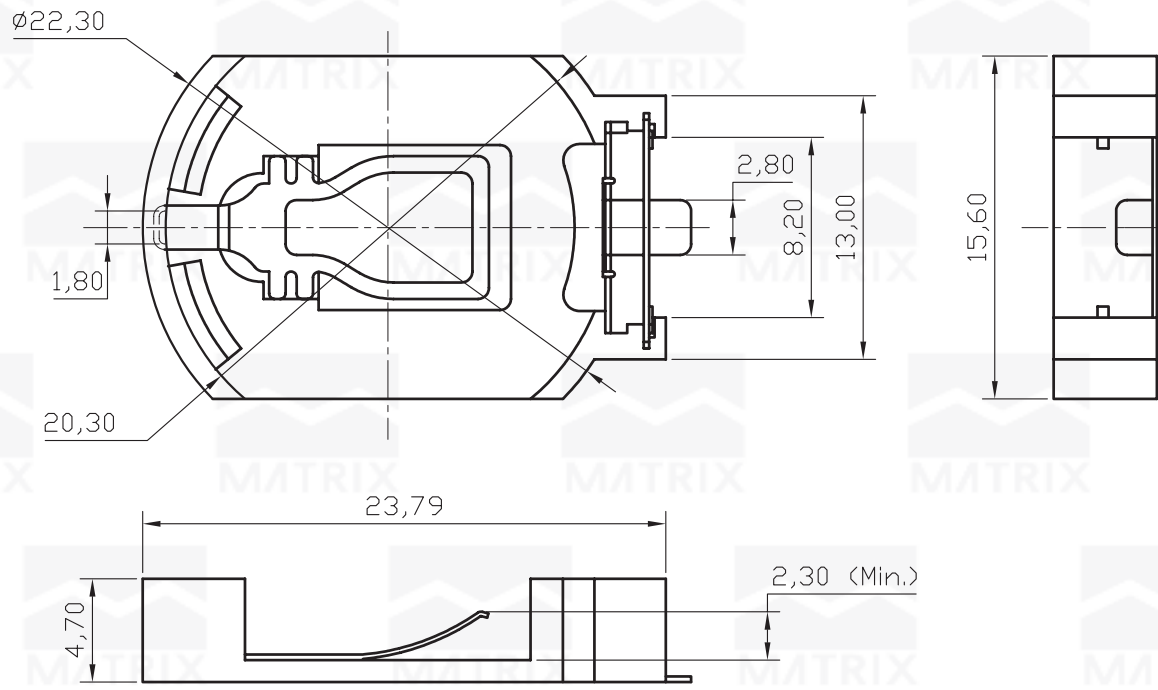


REV	ECN. NO.	APP	DATE
A	EDIÇÃO INICIAL		



RECOMMENDED P.C.B LAYOUT

**HOW TO ORDER:
MX-BTH-M-2032-[]**

1

1- (R) RoHS Compliant



MATRIX TECNOLOGIA IND. E COM. LTDA.

UNIT mm	SCALE 3:1	TITLE BATTERY CONNECTOR CR-2032 SMD TYPE	DATE OCTOBER 2007
TOLERANCE: ± 0.25			APP. BY
		MATL	CHK. BY
		DWG. NO.	DR. BY DIEGO