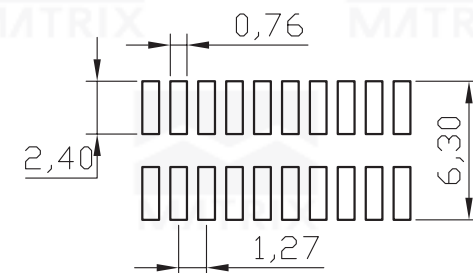
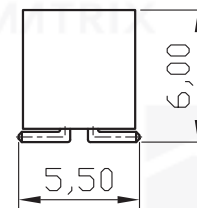
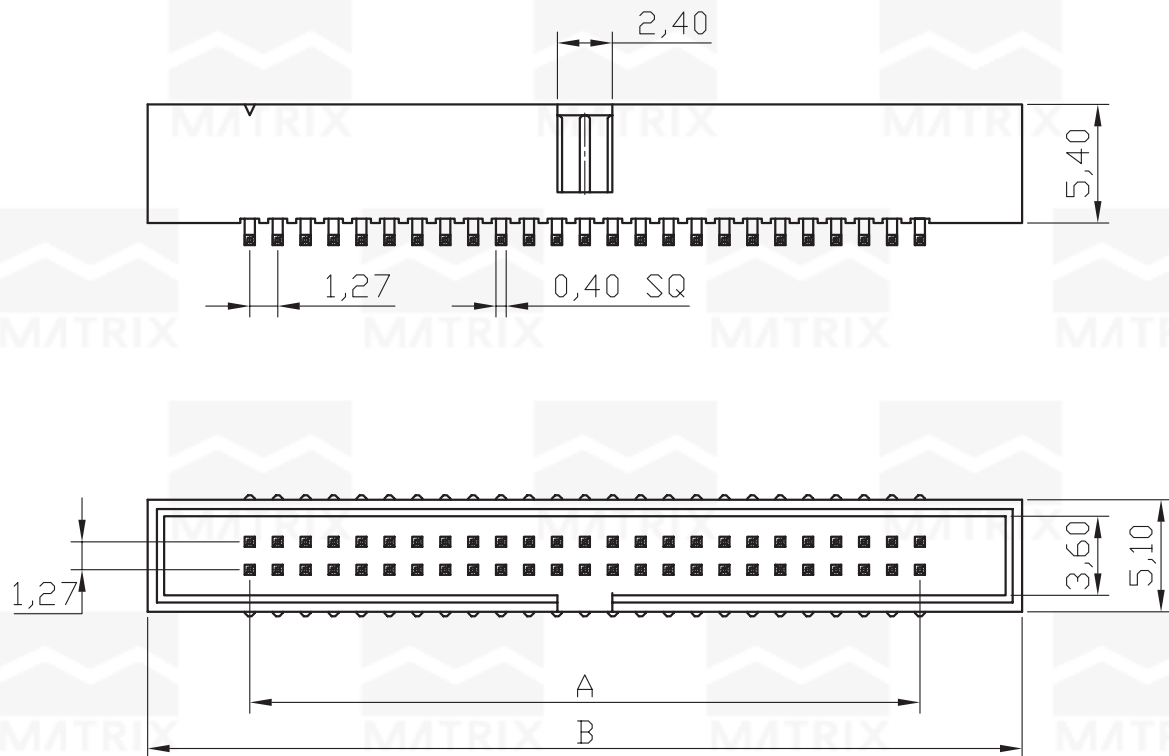


| | | | |
|-----|----------------|-----|------|
| REV | ECN. NO. | APP | DATE |
| A | EDIÇÃO INICIAL | | |
| | | | |
| | | | |



P.C. Board Layout


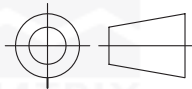
| Circuits | A | B |
|----------|-------|-------|
| 20 | 11,43 | 19,00 |
| 26 | 15,24 | 22,81 |
| 30 | 17,78 | 25,35 |
| 34 | 20,32 | 27,89 |
| 40 | 24,13 | 31,70 |
| 50 | 30,48 | 38,05 |
| 60 | 36,83 | 44,40 |
| 68 | 41,91 | 49,48 |
| 80 | 49,53 | 57,10 |
| 100 | 62,23 | 68,90 |

HOW TO ORDER:

MX-3127-[S]-[]-[]-SMD-[]

1 2 3 4

- 1- Pin Style
(S)-180°
- 2- Nr. of Ways
20 to 100
- 3- Terminal Plating:
(D)-FLASH Au
(F)-0,38um Au
(G)-0,76um Au
(C)-0,38um Au/Sn
(H)-0,76um Au/Sn
- 4- (R)-RoHS Compliant

| | | | |
|--|--------------|--|------------------|
|  MATRIX Tecnologia Ind. e Com. Ltda. | | | |
| UNIT mm | SCALE 3:1 | TITLE 1,27x1,27mm Double Row SMT | DATE August 2007 |
| TOLERANCE: ±0.25 | | | APP. BY |
|  | | MATL | CHK. BY |
| | | DWG. NO. | DR. BY DINO |