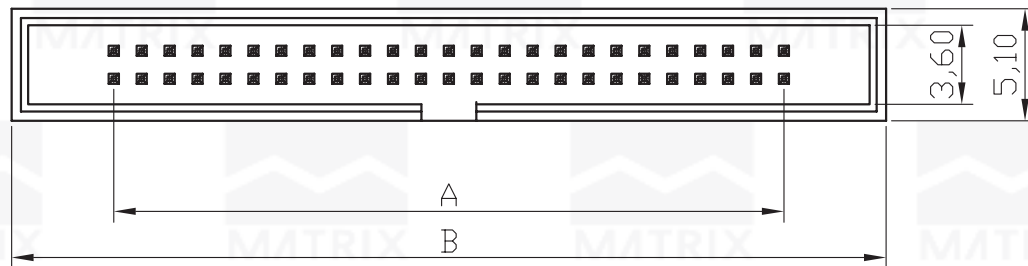
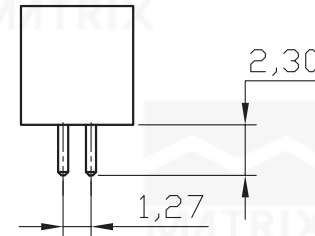
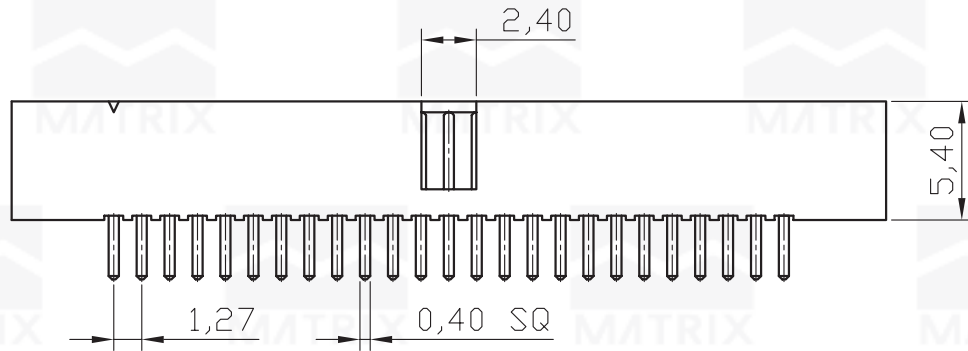


REV	ECN. NO.	APP	DATE
A	EDIÇÃO INICIAL		



Circuits	A	B
20	11,43	19,00
26	15,24	22,81
30	17,78	25,35
34	20,32	27,89
40	24,13	31,70
50	30,48	38,05
60	36,83	44,40
68	41,91	49,48
80	49,53	57,10
100	62,23	68,90

HOW TO ORDER: MX-3127-[S]-[]-[]-[]

1 2 3 4

- 1- Pin Style
(R)-90°
(S)-180°
- 2- Nr. of Ways
20 to 100
- 3- Terminal Plating:
(D)-FLASH Au
(F)-0,38um Au
(G)-0,76um Au
(C)-0,38um Au/Sn
(H)-0,76um Au/Sn
- 4- (R)-RoHS Compliant



MATRIX Tecnologia Ind. e Com. Ltda.

UNIT mm	SCALE 3:1	TITLE 1.27x1.27mm Double Row 180° PHT	DATE August 2007
TOLERANCE: ±0.25			APP. BY
		MATL	CHK. BY
		DWG. NO.	DR. BY DINO