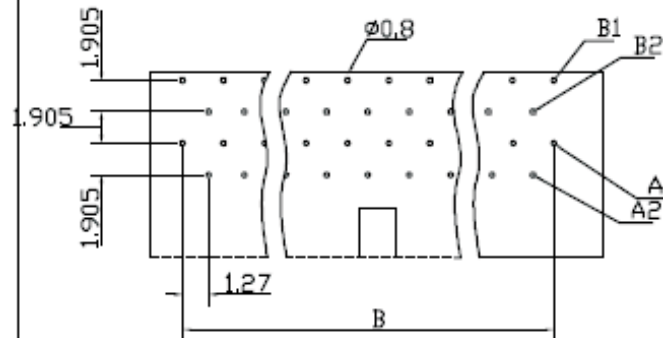
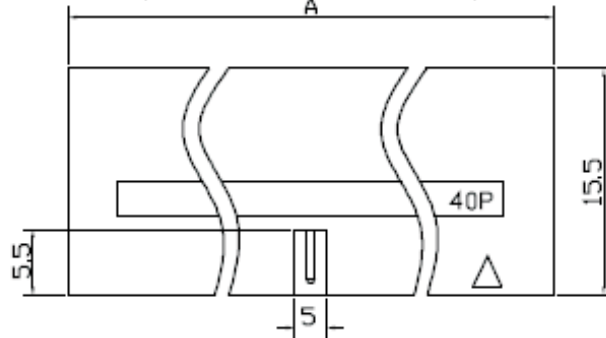
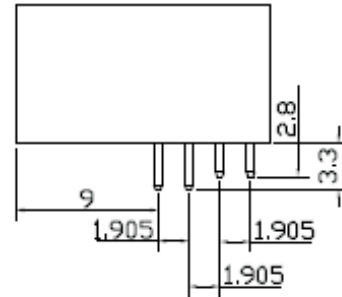
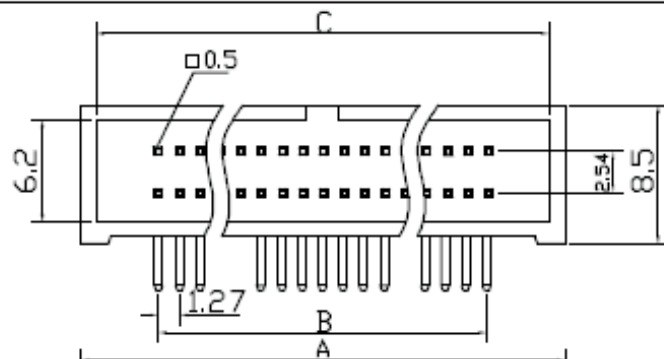
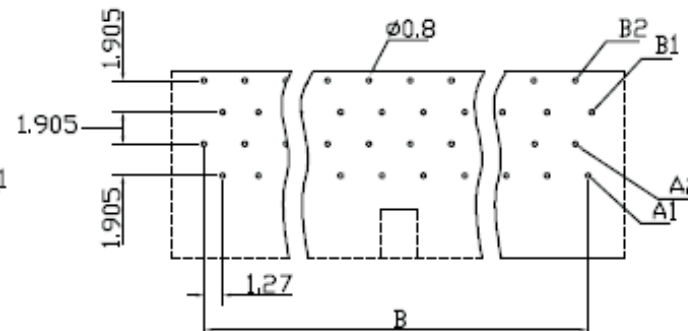


REV	ECN. NO.	APP	DATE
A	EDIÇÃO INICIAL		
B	NOVO CÓDIGO		



P.C. Board Layout Top View
(26,34,50 Position)



P.C. Board Layout Top View
(20,32,40,52,60,68,80,100 Position)

Electrical Characteristics:
 Current Rating: 0.5AMP.
 Insulator Resistance: 5000M Ω min. at DC 500V.
 Contact Resistance: 20M Ω max. at DC 100mA.
 Operating Temperature: -55 $^{\circ}$ C~+105 $^{\circ}$ C.

HOW TO ORDER: 3127Q[R][][]R 1 2 3

- 1- Pin Style
 (R)-90 $^{\circ}$
 (S)-180 $^{\circ}$
- 2- Nr. of Ways
 20 to 100
- 3- Terminal Plating:
 (D)-FLASH Au
 (F)-0,38um Au
 (G)-0,76um Au
 (C)-0,38um Au/Sn
 (H)-0,76um Au/Sn

Position	DIMENSION		
	A	B	C
20	20.95	11.43	18.75
26	24.76	15.24	22.56
32	28.57	19.05	26.37
34	29.84	20.32	27.64
40	33.65	24.13	31.45
50	40.00	30.48	37.80
52	41.27	31.75	39.07
60	46.33	36.83	44.13
68	51.43	41.91	49.23
80	59.05	49.53	56.85
100	71.75	62.23	69.55



MATRIX TECNOLOGIA IND. E COM. LTDA.

UNIT	SCALE	TITLE	DATE
mm		1.27x2.54mm H.D. 90 $^{\circ}$ Box Header Four Rows PHT	DECEMBER 2009
TOLERANCE: ± 0.25			APP. BY
			CHK. BY
			DR. BY Felipe