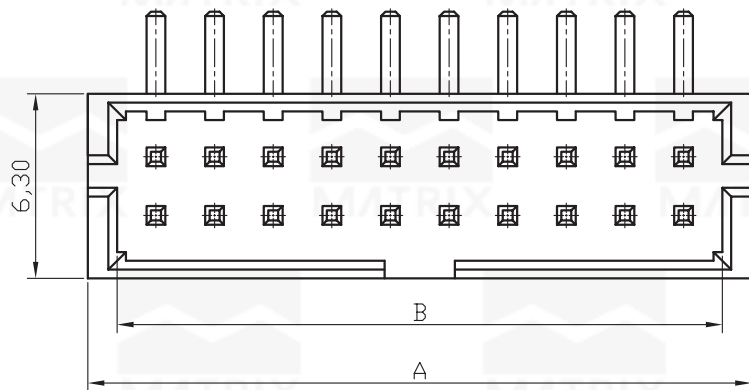
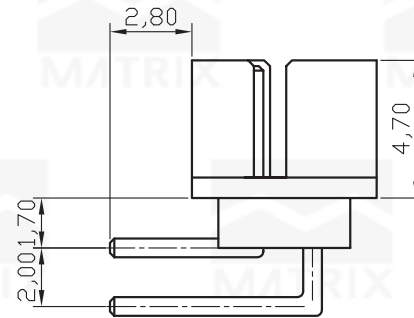
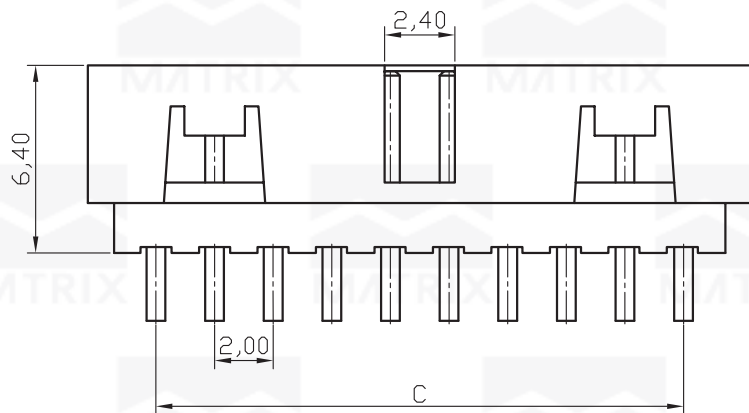
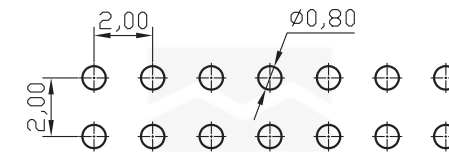


REV	ECN. NO.	APP	DATE
A	EDIÇÃO INICIAL		



SPECIFICATION

Current Rating: 1AMP Max.
 Dielectric Withstanding: 800V AC R.M.S.
 for one minute
 Insulation Resistance: 5000M OHMS Min. AT 500V DC.
 Operating Temperature: -55°C to +105°C
 Processing Temperature: 230°C for 30~60 seconds.



PCB LAYOUT

TABLE			
Pos.	A	B	C
8	10,65	8,85	6,00
10	12,65	10,85	8,00
12	14,65	12,85	10,00
14	16,65	14,85	12,00
16	18,65	16,85	14,00
20	22,65	20,85	18,00
22	24,65	22,85	20,00
24	26,65	24,85	22,00
26	28,65	26,85	24,00
30	32,65	30,85	28,00
34	36,65	34,85	32,00
40	42,65	40,85	38,00
44	46,65	44,85	42,00
50	52,65	50,85	48,00

HOW TO ORDER:
MX-3020-[R]-[]-[]-P6,4-[]

- | | |
|----------------|-----------------------|
| 1- Version: | 3- Terminal Plating: |
| (S)-180° | (D)-FLASH Au |
| (R)-90° | (F)-0,38um Au |
| 2- N° of Ways: | (G)-0,76um Au |
| See Table | (C)-0,38um Au/Sn |
| | (H)-0,76um Au/Sn |
| | 4- (R)-RoHS Compliant |



MATRIX TECNOLOGIA IND. E COM. LTDA.

UNIT mm	SCALE 4:1	TITLE BOX HEADER 2,00mm PROFILE 6,4MM 90°	DATE SEPTEMBER 2007
TOLERANCE: ±0.25			APP. BY
		MATL	CHK. BY
		DWG. NO.	DR. BY DINO