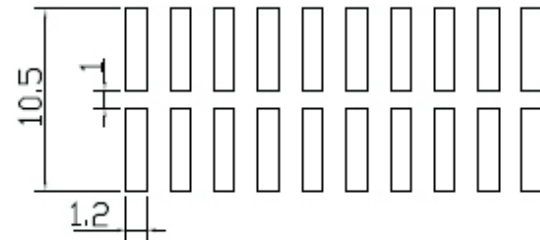
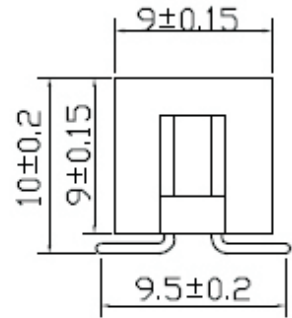
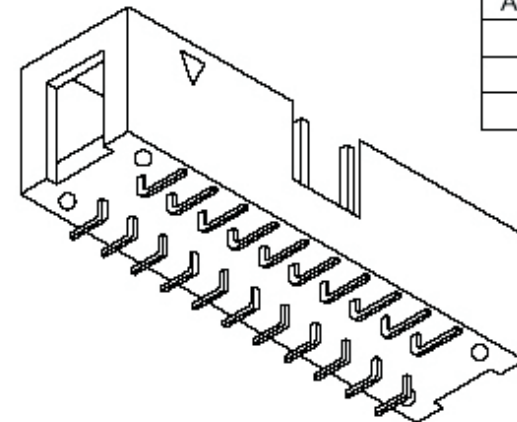
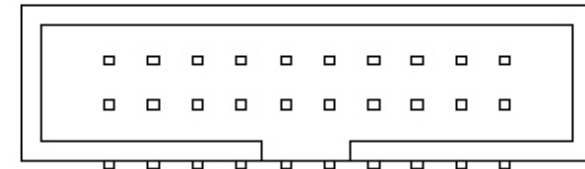
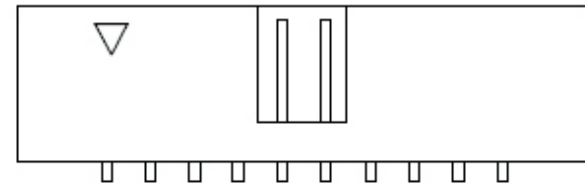
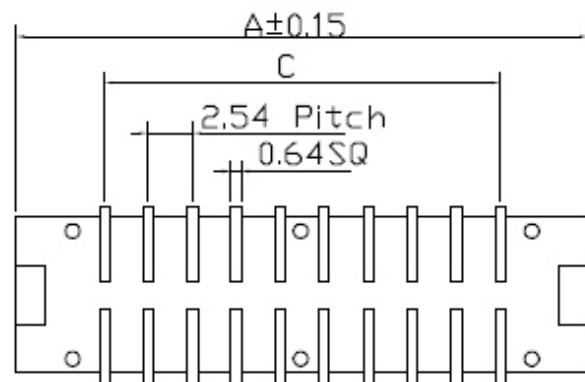


REV	ECN. NO.	APP	DATE
A	EDIÇÃO INICIAL		



P.C. Board Layout

HOW TO ORDER: MX-3025-[S]-[]-[]-SMD-[]

- 1 Pin Style (S)-180°
- 2- Nr. of Ways 6 to 50
- 3- Terminal Plating:
(D)-FLASH Au
(F)-0,38um Au
(G)-0,76um Au
(C)-0,38um Au/Sn
(H)-0,76um Au/Sn
- 4- (R)-RoHS Compliant

CIRCUITS	A	B	C
6	12.70	12.94	5.08
8	15.24	15.48	7.62
10	20.32	18.02	10.16
14	25.40	23.10	15.24
16	27.94	25.64	17.78
20	33.02	30.72	22.86
24	38.10	35.80	27.94
26	40.64	38.34	30.48
30	45.72	43.42	35.56
34	50.80	48.50	40.64
40	58.42	56.12	48.26
50	71.12	68.82	60.96

MATRIX TECNOLOGIA IND. E COM. LTDA.			
UNIT mm	SCALE	TITLE Box Header 2.54mm SMT	DATE SEPTEMBER 2007
TOLERANCE: ±0.25			APP. BY
		MATL	CHK. BY
		DWG. NO.	DR. BY DINO